

ROUND G4 WAFER

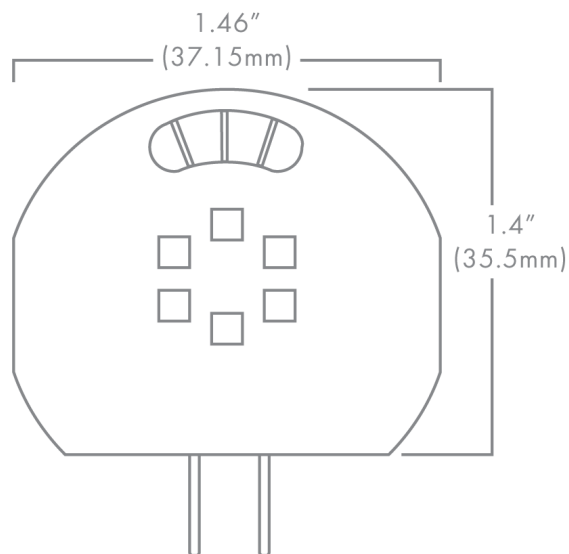


DESCRIPTION

The Brilliance G4 Bi-Pin Wafer is designed specifically for low voltage landscape lighting fixtures. This compact LED is energy efficient and produces a broad 180° light pattern. Dimmable with Brilliance Dimmer and most magnetic transformers.

ROUND G4 WAFER SPECS

Wattage	2W
Volt Amps	3.33
Lumens	120
Beam Spread	180°
Kelvin Temperature	2700
Operating Range	8-24 VAC/DC
Replaces	25W Halogen
CRI	85
IP	60
Lamp Life (hours)	35,000
Warranty (years)	5



Part Number: **G4-WAFER-2-2700-RND**

