

# BLACK DIAMOND MR16 WELL LIGHT

## DESCRIPTION

The Black Diamond MR16 Well Light comes in two top variations: flat glass or grate. Both the flat glass and grate tops come in a black or bronze (BZ) finish. It is available without a lamp or with an MR16 Ecostar (4W 2700K 30° 350 Lumens). This well light is fitted for any of our MR16 lamps and really comes to life with the Chameleon MR16 for RGBW applications.

## BLACK DIAMOND MR16 WELL LIGHT

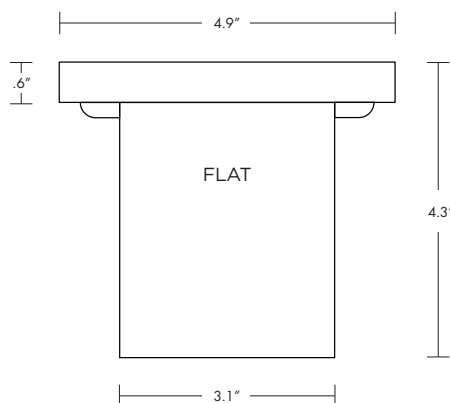
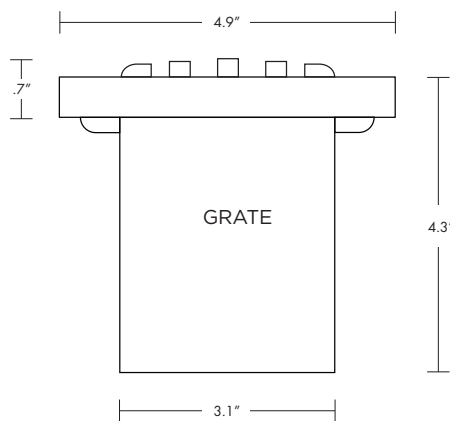
Use	<b>Well Lighting &amp; Underground Up Lighting</b>	
Finish	Top: <b>Black or Bronze</b> Body: <b>Composite</b>	
Warranty	<b>10 Year Warranty on Black Diamond Fixtures</b>	
Order With Lamp	<b>MR16 Ecostar, 4W, 2700K, 30°</b>	BD-WL-MR16-FLAT BD-WL-MR16-GRATE BD-WL-MR16-FLAT-BZ BD-WL-MR16-GRATE-BZ
Order Without Lamp	<b>Fits Chameleon MR16, MR16</b>	BD-WL-MR16-FLAT-NL BD-WL-MR16-GRATE-NL BD-WL-MR16-FLAT-BZ-NL BD-WL-MR16-GRATE-BZ-NL



Black Brass  
Baked Enamel



Bronze Baked  
Enamel (BZ)





**BD-WL-MR16-GRATE**

#### **INSTALLING THE LAMP**

1. Loosen the Allen screws on the lens cap and remove.
2. Install the lamp into the socket.
3. Return the lens cap to the fixture base and tighten the Allen screws.

#### **INSTALLING THE FIXTURE**

1. Dig a hole in the ground approximately 8" wide by 10" deep.
2. Connect the power cable to the fixture, leaving 2 feet of wire coiled in the bottom of the fixture for future service.
3. Pour 8" of pea gravel in the hole.
4. Place the fixture in the center of the hole.
5. Add more pea gravel to fill the hole 1" before the fixture lip. This allows for proper drainage around the fixture.
6. Place the specified lens assembly on the top of the fixture and tighten it Use the specified lens in all applications to protect from debris.
7. Apply glass wax on top of the lens to protect against standing water.