



BRILLIANCE™
A HIGHER LIGHT FORM®

GRAND PRIZE WINNER
2024 PHOTO CONTEST

Photograph courtesy of Bryant Outdoor Lighting LLC

2025 PRODUCT REFERENCE GUIDE

LINE VOLTAGE & LOW VOLTAGE LED LAMPS
LANDSCAPE LIGHTING FIXTURES
SMART PRODUCTS & CONTROLS
TRANSFORMERS



1ST RUNNER UP
2024 PHOTO CONTEST

Photograph courtesy of National Lawn Sprinklers & Outdoor Living

Brilliance



BRILLIANCE™

A HIGHER LIGHT FORM®

Brilliance exists to enhance the way people experience spaces. Our mission is to deliver quality lifestyles through high performance lighting solutions and outdoor living products.

Our team is passionate about the landscape lighting industry and is committed to offering high-quality LED lamps, low voltage fixtures, smart products, and controls to the marketplace. **Innovating is important to us, which is why we continue to develop new products that make your job easier and transform living environments.**

Our Values



Service



Stewardship



Visionary



Legacy



Family

Our Products

The Brilliance product line is designed with function, durability, and purpose of application in mind. This means that our lamps, landscape lighting fixtures, power sources, smart products, and controls are engineered for performance and are built to last. Brilliance is committed to offering well-designed products that stand the test of time.

What You Can Expect From Us

We provide superior customer service to our distributor network, and that extends to contractors and homeowners who use our products. We look for ways to make your job easier and to provide the innovative LED lighting products your designs need.

2024 BRILLIANCE

9TH ANNUAL

PHOTO CONTEST

All Photo Contest Winners can be found on page 103-104.

 **GRAND PRIZE WINNER**
2024 PHOTO CONTEST 

Front and Back Cover
Bryant Outdoor Lighting LLC

 **1ST RUNNER UP WINNER**
2024 PHOTO CONTEST 

Inside Front Cover
National Lawn Sprinklers & Outdoor Living

 **2ND RUNNER UP WINNER**
2024 PHOTO CONTEST 

Page 1
Milow Electric

 **HONORABLE MENTION**
2024 PHOTO CONTEST 

Page 31
National Lawn Sprinklers & Outdoor Living

 **HONORABLE MENTION**
2024 PHOTO CONTEST 

Page 93
National Lawn Sprinklers & Outdoor Living

Brilliance lamps are patented under D735369, D735370, D735371, D735372, D735373. The Brilliance Bistro String Light Kit is patented under D898986S.

Brilliance LED® is a registered trademark. "A Higher Light Form®" is a registered trademark of Brilliance LED.

© 2025 Brilliance LED®, LLC. All Rights Reserved.

Product images are for illustration purposes only. Actual products may vary. All products, product specifications, and data are subject to change without notice to improve reliability, function, design, or otherwise.

All product variations may not be available and in stock; some are available only via special order and are subject to special order terms, pricing, conditions, and minimum order quantities. Call 800-867-2108 for availability.

* Indicates Special Order Item.

† Indicates Select Beam Spreads Available in Stock.

Brilliance

TABLE OF CONTENTS

| | | | |
|--|-----------|--|-----------|
| LOW VOLTAGE | 1 | METAL WORKS | 49 |
| Micro G4..... | 2 | Versa Beam..... | 50 |
| Micro T5..... | 3 | Black Diamond Directional Light..... | 55 |
| Beacon G4..... | 4 | Black Diamond Modern Path Light..... | 56 |
| Beacon Plus G4..... | 5 | Black Diamond Path Light..... | 57 |
| Beacon T5..... | 6 | Black Diamond Wall Wash..... | 58 |
| Beacon SCB..... | 7 | Black Diamond PAR36 Well Light..... | 59 |
| Beacon DCB..... | 8 | Black Diamond MR16 Well Light..... | 60 |
| Beacon S8..... | 9 | Black Diamond Starter Lighting System..... | 61 |
| G4 Ecostar..... | 10 | Acadia..... | 62 |
| T5 Ecostar..... | 11 | Denali..... | 63 |
| SCB Ecostar..... | 12 | Grand Canyon..... | 64 |
| Blaze G4..... | 13 | Arches..... | 65 |
| Rectangle G4 Wafer..... | 14 | Glacier..... | 66 |
| Round G4 Wafer..... | 15 | Glacier Perforated..... | 67 |
| MR8..... | 16 | Bryce..... | 68 |
| MR11..... | 17 | Bryce Perforated..... | 69 |
| AR11..... | 18 | Pinnacles..... | 70 |
| MR16 Ecostar..... | 19 | Everglades..... | 71 |
| MR16..... | 20 | Guadalupe..... | 72 |
| PAR36..... | 21 | Redwood..... | 73 |
| Strip Light..... | 22 | Joshua Tree..... | 74 |
| Strip Light Accessories..... | 23 | Sequoia..... | 75 |
| Wave Strip Light..... | 24 | Zion..... | 76 |
| Wave Strip Light Accessories..... | 25 | Roswell Solar Path Light..... | 77 |
| Candelabra Edge Filament..... | 26 | Olympic..... | 78 |
| S14 Edge Filament..... | 27 | Mount Rainier..... | 79 |
| Low Voltage Bistro String Reel..... | 28 | Carlsbad..... | 80 |
| Bistro 12 Volt String Kit..... | 29 | Carlsbad Flange..... | 81 |
| LINE VOLTAGE | 31 | Congaree..... | 82 |
| Candelabra Edge Filament..... | 32 | Congaree Flange..... | 83 |
| S14 Edge Filament..... | 33 | Ozark..... | 84 |
| A19 Edge Filament..... | 34 | Cascades..... | 85 |
| Blaze Candelabra..... | 35 | Light Bar..... | 86 |
| Line Voltage Bistro String Light Kit..... | 36 | Adjustable Aquabeam..... | 87 |
| SMART PRODUCTS & CONTROLS | 37 | Niche Light..... | 88 |
| Chameleon Programming Puck..... | 39 | Mini Beam + Stake & Shield..... | 89 |
| Chameleon G4 Bi-Pin..... | 40 | Gutter Mount..... | 90 |
| Chameleon MR16..... | 41 | Replacement Parts..... | 91 |
| Chameleon PAR36..... | 42 | Accessories..... | 92 |
| Wi-Fi Smart Socket 3.0..... | 43 | RESOURCES | 93 |
| Brilliance LED Dimmer..... | 44 | Photometrics..... | 94 |
| Transformers..... | 45 | Volt Amps..... | 97 |
| Brilliance Relay..... | 47 | Ingress Protection Ratings..... | 98 |
| Sector Selector..... | 48 | Professional Training..... | 102 |

2ND RUNNER UP WINNER
2024 PHOTO CONTEST

12VAC



LOW
VOLTAGE

Photograph courtesy of Milow Electric

MICRO G4



DESCRIPTION

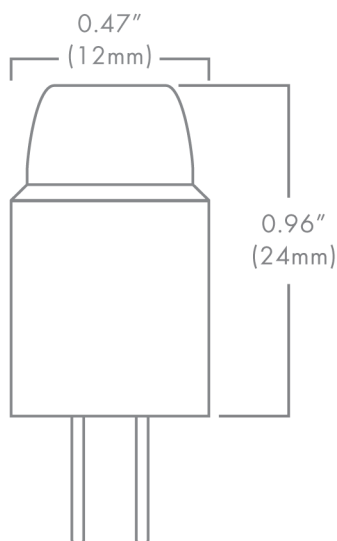
The Brilliance Micro G4 Bi-Pin is a sub-compact LED that features Brilliance's omni-directional beam pattern. This Micro G4 Bi-Pin is energy efficient and water resistant. It is designed specifically for landscape retrofit applications and is ideal for pathway lighting fixtures. Dimmable with Brilliance Dimmer and most magnetic transformers. Suitable for damp locations and for use in totally enclosed luminaires. Not for underwater use.

FEATURES

- Ceramic technology
- UL Certified E360351

MICRO G4 SPECS

| | |
|---------------------------|-------------------------|
| Wattage | 1.2W |
| Volt Amps | 1.52 |
| Lumens | 2700K 95 |
| | 3000K 100 |
| Beam Spread | Omni-directional |
| Kelvin Temperature | 2700, 3000 |
| Color | Amber |
| Operating Range | 8-14 VAC/DC |
| Replaces | 10W Halogen |
| CRI | 85 |
| IP | 61 |
| Lamp Life (hrs.) | 35,000 |
| Warranty (yrs.) | 5 |



Part Number: **BRI-MICRO-G4-XXXX**

↓
Kelvin/Color



MICRO T5



DESCRIPTION

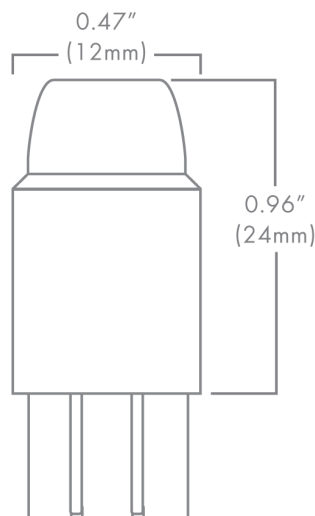
The Brilliance Micro T5 Wedge is a sub-compact LED that features Brilliance's omni-directional beam pattern. This Micro T5 Wedge is energy efficient and water resistant. It is designed specifically for landscape retrofit applications and is ideal for pathway lighting fixtures. Dimmable with Brilliance Dimmer and most magnetic transformers. Suitable for damp locations and for use in totally enclosed luminaires. Not for underwater use.

FEATURES

- Ceramic technology
- UL Recognized Components

MICRO T5 SPECS

| | |
|---------------------------|-------------------------|
| Wattage | 1.2W |
| Volt Amps | 1.52 |
| Lumens | 95 |
| Beam Spread | Omni-directional |
| Kelvin Temperature | 2700 |
| Operating Range | 8-14 VAC/DC |
| Replaces | 10W Halogen |
| CRI | 85 |
| IP | 61 |
| Lamp Life (hrs.) | 35,000 |
| Warranty (yrs.) | 5 |



Part Number: **BRI-MICRO-T5**



BEACON G4



DESCRIPTION

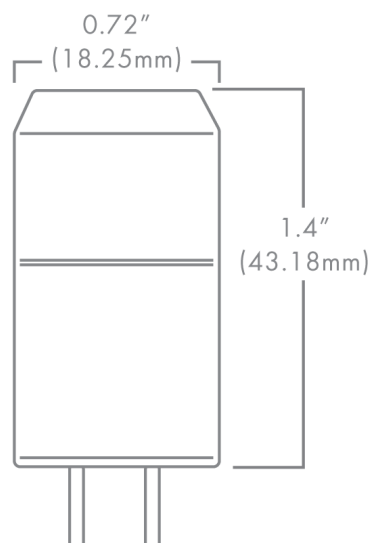
The Brilliance Beacon G4 Bi-Pin is a sub-compact LED that features Brilliance's omni-directional beam pattern. This G4 Bi-Pin is energy efficient and water resistant. It is designed specifically for landscape retrofit applications and is ideal for pathway lighting fixtures and step lights. Dimmable with Brilliance Dimmer and most magnetic transformers. Suitable for damp locations and for use in totally enclosed luminaires. Not for underwater use.

BEACON G4 FEATURES

- Ceramic technology
- UL Certified E360351

BEACON G4 SPECS

| | |
|---------------------------|-------------------------|
| Wattage | 2W |
| Volt Amps | 3.28 |
| Lumens | 2700K 230 |
| | 3000K 244 |
| | 5700K 250 |
| Beam Spread | Omni-directional |
| Kelvin Temperature | 2700, 3000, 5700 |
| Operating Range | 8-25 VAC/DC |
| Replaces | 20W Halogen |
| CRI | 84 |
| IP | 65 |
| Lamp Life (hrs.) | 35,000 |
| Warranty (yrs.) | 5 |



Part Number: **BRI-BEACON-G4-XXXX**

↓
Kelvin



BEACON PLUS G4



DESCRIPTION

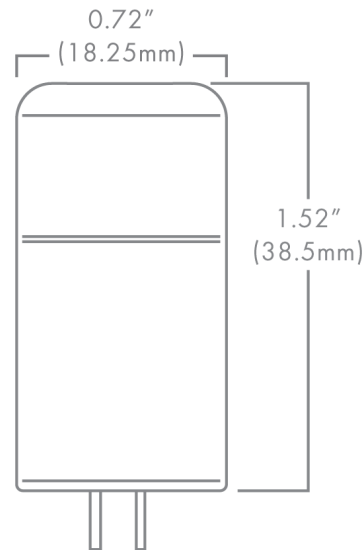
The Brilliance Beacon Plus G4 Bi-Pin is a sub-compact LED that features Brilliance's omni-directional beam pattern through a translucent optic. This G4 Bi-Pin is energy efficient and water resistant. It is designed specifically for landscape retrofit applications and is ideal for pathway lighting fixtures and step lights. Dimmable with Brilliance Dimmer and most magnetic transformers. Suitable for damp locations and for use in totally enclosed luminaires. Not for underwater use.

BEACON PLUS G4 FEATURES

- Ceramic technology
- UL Certified E360351

BEACON PLUS G4 SPECS

| | |
|---------------------------|-------------------------|
| Wattage | 3W |
| Volt Amps | 4.55 |
| Lumens | 2700K 300 |
| | 3000K 340 |
| Beam Spread | Omni-directional |
| Kelvin Temperature | 2700, 3000 |
| Operating Range | 8-25 VAC/DC |
| Replaces | 35W Halogen |
| CRI | 90+ |
| IP | 65 |
| Lamp Life (hrs.) | 35,000 |
| Warranty (yrs.) | 5 |



Part Number: **BRI-BEACON-PLUS-G4-XXXX**

—
Kelvin



BEACON T5



DESCRIPTION

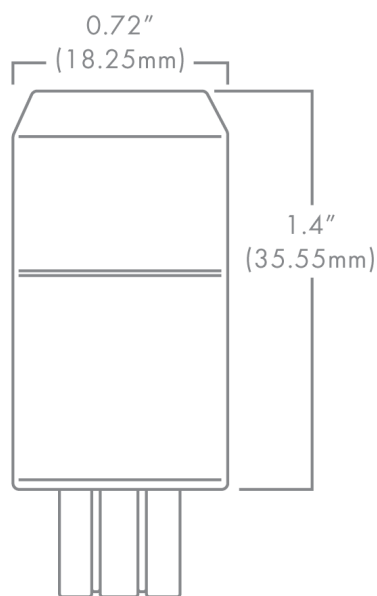
The Brilliance Beacon T5 Wedge is a sub-compact LED that features Brilliance's omni-directional beam pattern. This T5 Wedge is energy efficient and water resistant. It is designed specifically for landscape retrofit applications and is ideal for pathway lighting fixtures and step lights. Dimmable with Brilliance Dimmer and most magnetic transformers. Suitable for damp locations and for use in totally enclosed luminaires. Not for underwater use.

BEACON T5 FEATURES

- Ceramic technology
- UL Recognized Components

BEACON T5 SPECS

| | |
|---------------------------|-------------------------|
| Wattage | 2W |
| Volt Amps | 3.28 |
| Lumens | 2700K 233 |
| | 3000K 245 |
| Beam Spread | Omni-directional |
| Kelvin Temperature | 2700, 3000 |
| Operating Range | 8-25 VAC/DC |
| Replaces | 20W Halogen |
| CRI | 84 |
| IP | 65 |
| Lamp Life (hrs.) | 35,000 |
| Warranty (yrs.) | 5 |



Part Number: **BRI-BEACON-T5-XXXX**

↓
Kelvin



BEACON SCB



DESCRIPTION

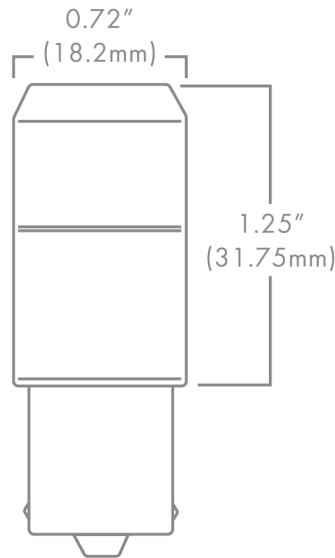
The Brilliance Beacon Single Contact Bayonet (SCB) is a subcompact LED that features Brilliance's omni-directional beam pattern. This SCB is energy efficient and water resistant. It is designed specifically for landscape retrofit applications and is ideal for pathway lighting fixtures and step lights. Dimmable with Brilliance Dimmer and most magnetic transformers. Suitable for damp locations and for use in totally enclosed luminaires. Not for underwater use.

BEACON SCB FEATURES

- Ceramic technology
- UL Certified E360351

BEACON SCB SPECS

| | |
|---------------------------|-------------------------|
| Wattage | 2W |
| Volt Amps | 2.38 |
| Lumens | 2700K 230 |
| | 3000K 245 |
| Beam Spread | Omni-directional |
| Kelvin Temperature | 2700, 3000 |
| Operating Range | 8-25 VAC/DC |
| Replaces | 20W Halogen |
| CRI | 84 |
| IP | 65 |
| Lamp Life (hrs.) | 35,000 |
| Warranty (yrs.) | 5 |



Part Number: **BRI-BEACON-SCB-XXXX**

—
Kelvin



BEACON DCB



DESCRIPTION

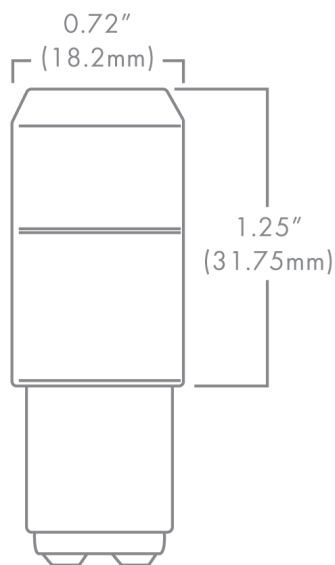
The Brilliance Beacon Double Contact Bayonet (DCB) is a subcompact LED that features Brilliance's omni-directional beam pattern. This DCB is energy efficient and water resistant. It is designed specifically for landscape retrofit applications and is ideal for pathway lighting fixtures, wall washing, and hanging fixtures. Dimmable with Brilliance Dimmer and most magnetic transformers. Suitable for damp locations and for use in totally enclosed luminaires. Not for underwater use.

BEACON DCB FEATURES

- Ceramic technology
- UL Certified E360351

BEACON DCB SPECS

| | |
|---------------------------|-------------------------|
| Wattage | 2W |
| Volt Amps | 3.28 |
| Lumens | 2700K 200 |
| | 3000K 225 |
| Beam Spread | Omni-directional |
| Kelvin Temperature | 2700, 3000 |
| Operating Range | 8-25 VAC/DC |
| Replaces | 20W Halogen |
| CRI | 84 |
| IP | 65 |
| Lamp Life (hrs.) | 35,000 |
| Warranty (yrs.) | 5 |



Part Number: **BRI-BEACON-DCB-XXXX**

↓
Kelvin



BEACON S8



DESCRIPTION

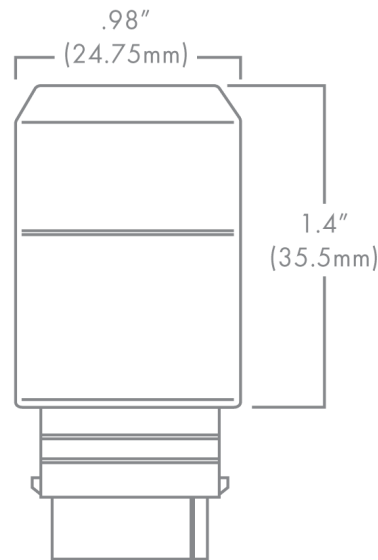
The Brilliance Beacon S8 Wedge is a subcompact LED that features Brilliance's omni-directional beam pattern. This S8 is energy efficient and water resistant. It is designed specifically for landscape retrofit applications and is ideal for pathway lighting fixtures and step lights. Dimmable with Brilliance Dimmer and most magnetic transformers. Suitable for damp locations and for use in totally enclosed luminaires. Not for underwater use.

BEACON S8 FEATURES

- Ceramic technology
- UL Recognized Components

BEACON S8 SPECS

| | |
|---------------------------|-------------------------|
| Wattage | 2W |
| Volt Amps | 3.28 |
| Lumens | 2700K 200 |
| | 3000K 245 |
| Beam Spread | Omni-directional |
| Kelvin Temperature | 2700, 3000 |
| Operating Range | 8-25 VAC/DC |
| Replaces | 20W Halogen |
| CRI | 84 |
| IP | 65 |
| Lamp Life (hrs.) | 35,000 |
| Warranty (yrs.) | 5 |



Part Number: **BRI-BEACON-S8-XXXX**

↓
Kelvin



G4 ECOSTAR



DESCRIPTION

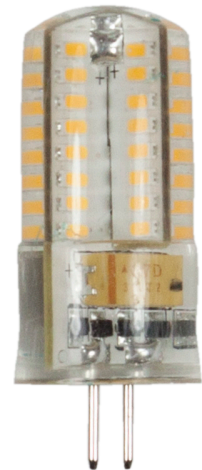
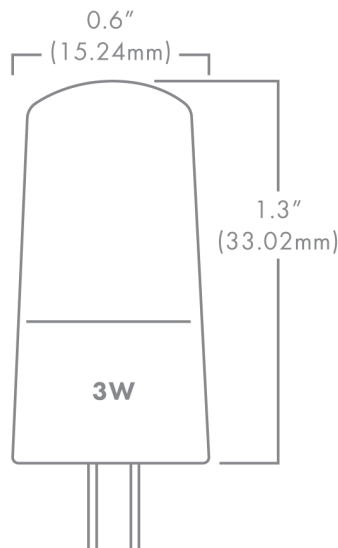
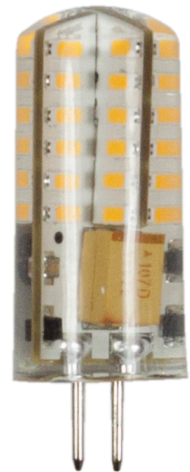
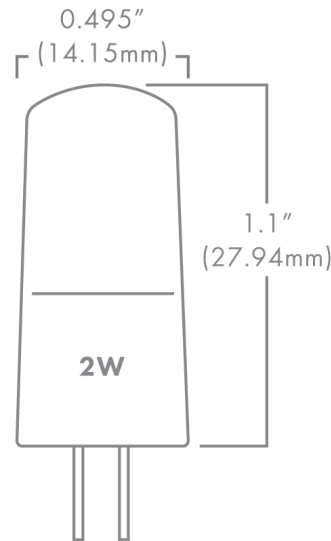
The Brilliance G4 Ecostar Bi-Pin is a sub-compact LED that utilizes a multi-directional beam pattern. The G4 Ecostar is energy efficient and water resistant. It is designed specifically for landscape retrofit applications and is ideal for pathway lighting fixtures, and step lights. Designed for budget-conscious landscape lighting projects. Dimmable with Brilliance Dimmer and most magnetic transformers.

G4 ECOSTAR FEATURES

- Budget conscious
- High CRI
- Enhanced ESD (Electro-Static Discharge) protection (IEC-61000-4-2)

G4 ECOSTAR SPECS

| Wattage | 2W | 3W |
|--------------------|------------------|------|
| Volt Amps | 3.33 | 5.00 |
| Lumens | 2700K | 150 |
| | 3000K | 240 |
| Beam Spread | Omni-directional | |
| Kelvin Temperature | 2700, 3000 | |
| Operating Range | 8-14 VAC/DC | |
| Replaces | 10W, 20W Halogen | |
| CRI | 95 | |
| IP | 65 | |
| Lamp Life (hrs.) | 25,000 | |
| Warranty (yrs.) | 3 | |



Part Number: **BRI-G4-ECO-X-XXXX**



T5 ECOSTAR



DESCRIPTION

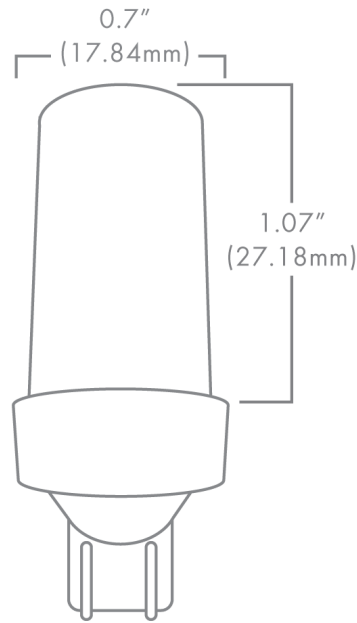
The Brilliance T5 Ecostar Wedge is a sub-compact LED that utilizes an omni-directional beam pattern. The T5 Ecostar is energy efficient and water resistant. It is designed specifically for landscape retrofit applications and is ideal for pathway lighting fixtures, and step lights. Designed for budget-conscious landscape lighting projects. Dimmable with Brilliance Dimmer and most magnetic transformers.

T5 ECOSTAR FEATURES

- Budget conscious
- High CRI
- Enhanced ESD (Electro-Static Discharge) protection (IEC-61000-4-2)

T5 ECOSTAR SPECS

| | |
|---------------------------|-------------------------|
| Wattage | 3W |
| Volt Amps | 5.00 |
| Lumens | 2700K 240 |
| | 3000K 245 |
| Beam Spread | Omni-directional |
| Kelvin Temperature | 2700, 3000 |
| Operating Range | 8-14 VAC/DC |
| Replaces | 20W Halogen |
| CRI | 95 |
| IP | 65 |
| Lamp Life (hrs.) | 25,000 |
| Warranty (yrs.) | 3 |



Part Number: **BRI-T5-ECO-3-XXXX**

↓
Kelvin



SCB ECOSTAR

DESCRIPTION

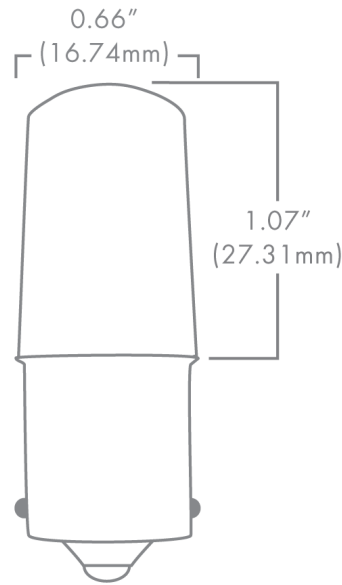
The Brilliance Single Contact Bayonet (SCB) Ecostar is a sub-compact LED that utilizes a multi-directional beam pattern. The SCB Ecostar is energy efficient and water resistant. It is designed specifically for landscape retrofit applications and is ideal for pathway lighting fixtures, and step lights. Designed for budget-conscious landscape lighting projects. Dimmable with Brilliance Dimmer and most magnetic transformers.

SCB ECOSTAR FEATURES

- Budget conscious
- High CRI
- Enhanced ESD (Electro-Static Discharge) protection (IEC-61000-4-2)

SCB ECOSTAR SPECS

| | |
|---------------------------|-------------------------|
| Wattage | 3W |
| Volt Amps | 5.00 |
| Lumens | 2700K 240 |
| | 3000K 245 |
| Beam Spread | Omni-directional |
| Kelvin Temperature | 2700, 3000 |
| Operating Range | 8-14 VAC/DC |
| Replaces | 20W Halogen |
| CRI | 95 |
| IP | 65 |
| Lamp Life (hrs.) | 25,000 |
| Warranty (yrs.) | 3 |



Part Number: **BRI-SCB-ECO-3-XXXX**

|
Kelvin



BLAZE G4



DESCRIPTION

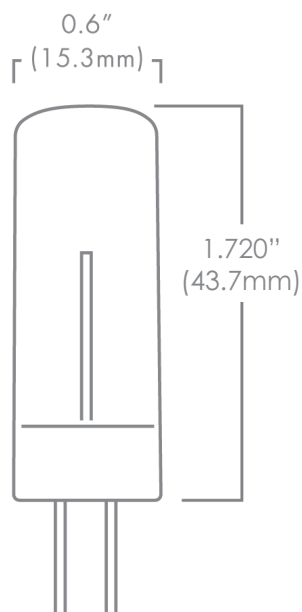
The Brilliance Blaze G4 Bi-Pin is a specialty lamp designed specifically to create a real, flame-like effect in any G4 base fixture. Perfect for path lights or anywhere a warm, flickering light is desired. The Blaze series is also offered in line voltage Candelabra option in an E12 base.

BLAZE G4 FEATURES

- Low voltage flickering flame effect

BLAZE G4 SPECS

| | |
|---------------------------|--------------------|
| Wattage | 2W |
| Volt Amps | 3.33 |
| Lumens | 20-120 |
| Kelvin Temperature | 1400-1700 |
| Operating Range | 8-15 VAC/DC |
| IP | 65 |
| Lamp Life (hrs.) | 30,000 |
| Warranty (yrs.) | 3 |



Part Number: **BRI-BLAZE-G4**



RECTANGLE G4 WAFER

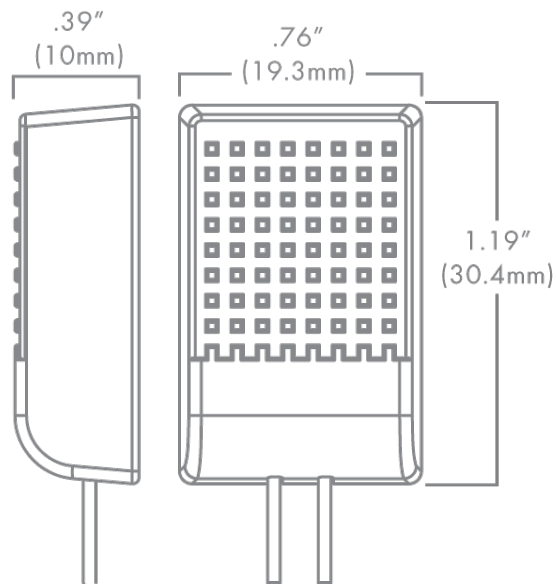


DESCRIPTION

The Brilliance G4 Bi-Pin Wafer is designed specifically for low voltage landscape lighting fixtures. This compact LED is energy efficient and produces a broad 120° light pattern. Dimmable with Brilliance Dimmer and most magnetic transformers.

RECTANGULAR G4 WAFER SPECS

| | | |
|---------------------------|-------------|-----------|
| Wattage | 2W | 3W |
| Volt Amps | 3.33 | 5.1 |
| Lumens | 200 | 300 |
| Beam Spread | 120° | |
| Kelvin Temperature | 2700, 3000 | |
| Operating Range | 8-25 VAC/DC | |
| Replaces | 25W Halogen | |
| CRI | 90 | |
| IP | 62 | |
| Lamp Life (hrs.) | 30,000 | |
| Warranty (yrs.) | 5 | |



Part Number: **G4-WAFER-X-XXXX-RT**

Wattage
Kelvin



ROUND G4 WAFER

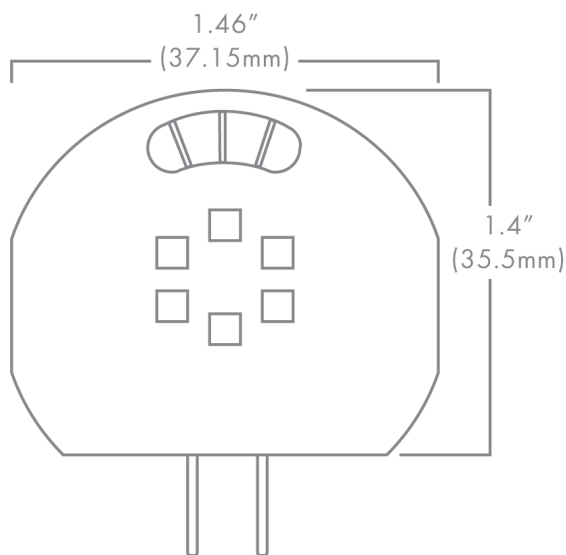


DESCRIPTION

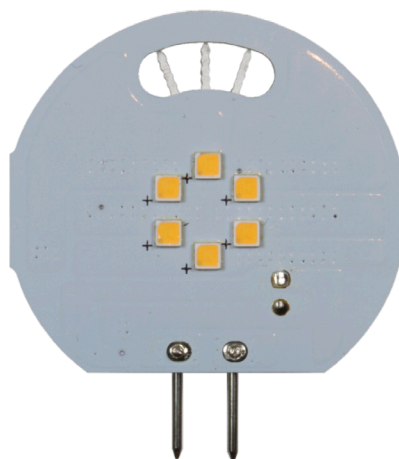
The Brilliance G4 Bi-Pin Wafer is designed specifically for low voltage landscape lighting fixtures. This compact LED is energy efficient and produces a broad 180° light pattern. Dimmable with Brilliance Dimmer and most magnetic transformers.

ROUND G4 WAFER SPECS

| | |
|---------------------------|--------------------|
| Wattage | 2W |
| Volt Amps | 3.33 |
| Lumens | 120 |
| Beam Spread | 180° |
| Kelvin Temperature | 2700 |
| Operating Range | 8-24 VAC/DC |
| Replaces | 25W Halogen |
| CRI | 85 |
| IP | 60 |
| Lamp Life (hrs.) | 35,000 |
| Warranty (yrs.) | 5 |



Part Number: **G4-WAFER-2-2700-RND**



MR8

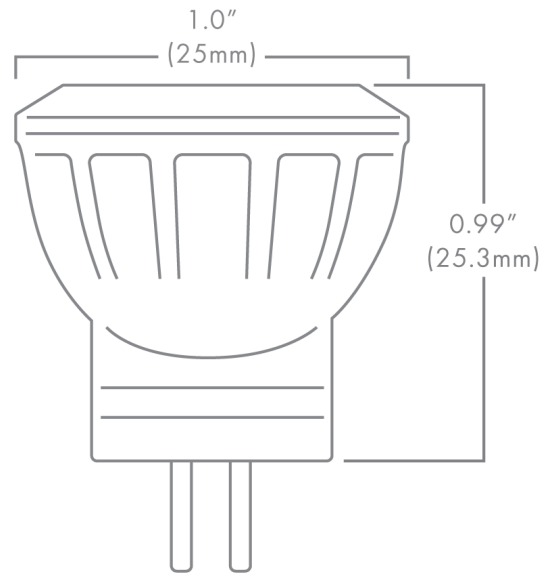


DESCRIPTION

The Brilliance MR8 Bi-Pin is designed to fit in standard low voltage MR8 fixtures and offers a long lamp life. These LEDs are thermally engineered to operate in enclosed fixtures and provide added security by automatically cooling down and reducing lumen output when exposed to extreme heat, such as air temperatures above 125 °F. There is no color shift when lumen output is reduced. Dimmable with Brilliance Dimmer and most magnetic transformers. Suitable for damp locations and for use in totally enclosed luminaires. Not for underwater use.

MR8 FEATURES

- Earth tone colored housing
- Enhanced ESD (Electro-Static Discharge) protection (IEC-61000-4-2)
- Heat overload protection technology
- Fully potted PC board
- UL Certified E360351



Part Number: **MR8-XXXX-XXX**

Kelvin | Beam spread

MR8 SPECS

| | |
|---------------------------|----------------------------|
| Wattage | 1.5W |
| Volt Amps | 2.50 |
| Lumens | 2700K 90 |
| | 3000K 139 |
| Beam Spread | 15°, 30°, 60°, 120° |
| Kelvin Temperature | 2700, 3000 |
| Color | Amber (30° only) |
| Operating Range | 8-25 VAC/DC |
| Replaces | 10W Halogen |
| CRI | 85 |
| IP | 61 |
| Lamp Life (hrs.) | 50,000 |
| Warranty (yrs.) | 5 |



MR11

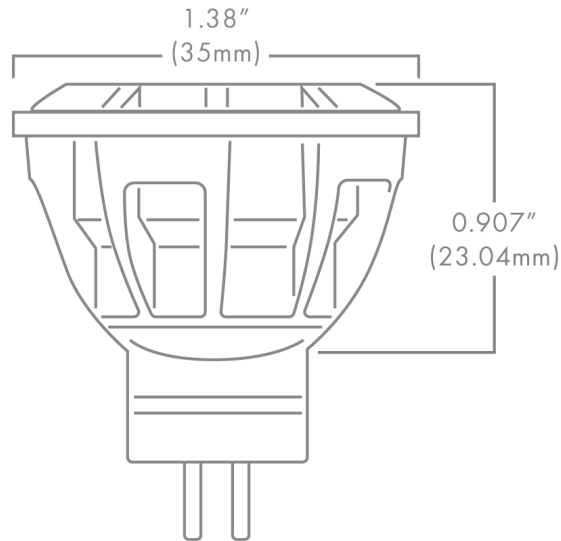


DESCRIPTION

The Brilliance MR11 Bi-Pin is designed to fit into standard low voltage MR11 fixtures and offers a long lamp life. These LEDs are thermally engineered to operate in enclosed fixtures and provide added security by automatically cooling down and reducing lumen output when exposed to extreme heat, such as air temperatures above 125°F. There is no color shift when lumen output is reduced. Dimmable with Brilliance Dimmer and most magnetic transformers. Suitable for damp locations and for use in totally enclosed luminaires. Not for underwater use.

MR11 FEATURES

- Earth tone colored housing
- Enhanced ESD (Electro-Static Discharge) protection (IEC-61000-4-2)
- Heat overload protection technology
- Fully potted PC board
- UL Certified E360351



Part Number: **MR11-2-XXXX-XXX**

Kelvin Beam spread

MR11 SPECS

| | |
|---------------------------|----------------------------|
| Wattage | 2W |
| Volt Amps | 3.33 |
| Lumens | 2700K 120 |
| | 3000K 166 |
| | 5700K 197 |
| Beam Spread † | 15°, 30°, 60°, 120° |
| Kelvin Temperature | 2700, 3000, 5700 |
| Color | Amber (30° only) |
| Operating Range | 8-25 VAC/DC |
| Replaces | 20W Halogen |
| CRI | 85 |
| IP | 61 |
| Lamp Life (hrs.) | 50,000 |
| Warranty (yrs.) | 5 |



† Select Beam Spreads Available in Stock.
Call 800-867-2108 for availability.

AR11



DESCRIPTION

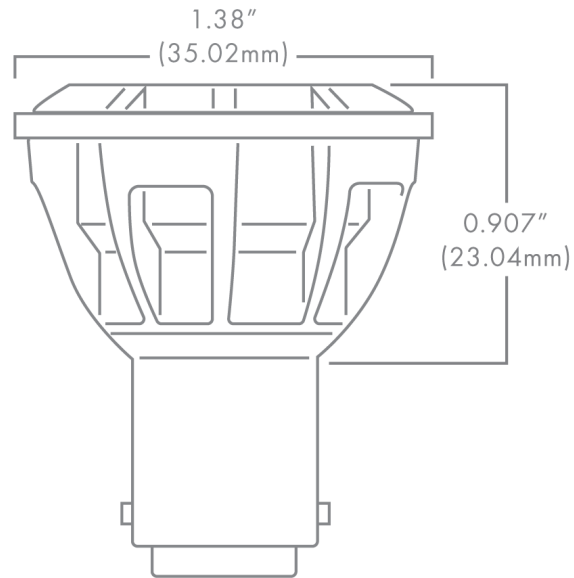
The Brilliance AR11 Double Contact Bayonet (DCB) is designed to fit into standard low voltage AR11 fixtures and offers a long lamp life. These LEDs are thermally engineered to operate in enclosed fixtures and provide added security by automatically cooling down and reducing lumen output when exposed to extreme heat, such as air temperatures above 125° F. There is no color shift when lumen output is reduced. Dimmable with Brilliance Dimmer and most magnetic transformers. Suitable for damp locations and for use in totally enclosed luminaires. Not for underwater use.

AR11 FEATURES

- Earth tone colored housing
- Enhanced ESD (Electro-Static Discharge) protection (IEC-61000-4-2)
- Heat overload protection technology
- Fully potted PC board
- UL Certified E360351

AR11 SPECS

| | |
|---------------------------|-------------------------|
| Wattage | 2W |
| Volt Amps | 3.33 |
| Lumens | 2700K 120 |
| | 3000K 138 |
| Beam Spread | 30°, 60° |
| Kelvin Temperature | 2700, 3000 |
| Color | Amber (30° only) |
| Operating Range | 8-25 VAC/DC |
| Replaces | 20W Halogen |
| CRI | 85 |
| IP | 61 |
| Lamp Life (hrs.) | 50,000 |
| Warranty (yrs.) | 5 |



Part Number: **AR11-2-XXXX-XX**

Kelvin | Beam spread



MR16 ECOSTAR

DESCRIPTION

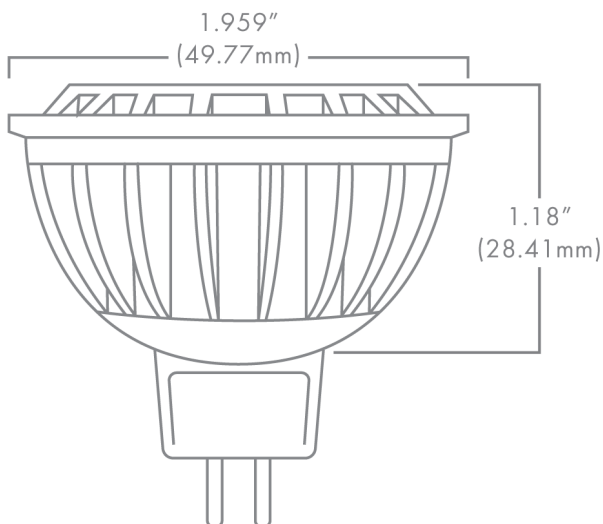
The Brilliance MR16 ECOSTAR Bi-Pin lamp is designed to fit in standard low voltage fixtures. Designed for budget-conscious landscape lighting projects. Dimmable with Brilliance Dimmer and most magnetic transformers.

MR16 ECOSTAR FEATURES

- White housing
- Enhanced ESD (Electro-Static Discharge) protection (IEC-61000-4-2)
- Heat overload protection technology

MR16 ECOSTAR SPECS

| Wattage | 4W | 7W | |
|--------------------|---------------------|-------|-----|
| Volt Amps | 6.35 | 11.11 | |
| Lumens | 2700K | 350 | 640 |
| | 3000K | 420 | 660 |
| | 5700K | 430 | 718 |
| Beam Spread† | 15°, 30°, 60°, 120° | | |
| Kelvin Temperature | 2700, 3000, 5700 | | |
| Operating Range | 8-25 VAC/DC | | |
| Replaces | 35W, 50W Halogen | | |
| CRI | 80 | | |
| IP | 61 | | |
| Lamp Life (hrs.) | 30,000 | | |
| Warranty (yrs.) | 3 | | |



Part Number: **MR16-X-ECO-XXXX-XXX**

Wattage | Kelvin | Beam spread



† Select Beam Spreads Available in Stock.
Call 800-867-2108 for availability.

MR16



DESCRIPTION

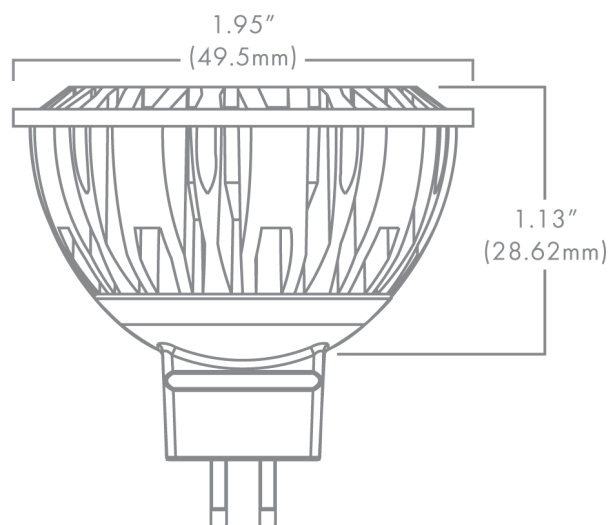
The Brilliance MR16 Bi-Pin is designed to fit in standard low voltage MR16 fixtures and offers a long lamp life. These LEDs are thermally engineered to operate in enclosed fixtures and provide added security by automatically cooling down and reducing lumen output when exposed to extreme heat, such as air temperatures above 125 °F. There is no color shift when lumen output is reduced. Dimmable with Brilliance Dimmer and most magnetic transformers. Suitable for damp locations and for use in totally enclosed luminaires. Not for underwater use.

MR16 FEATURES

- Earth tone colored housing
- Enhanced ESD (Electro-Static Discharge) protection (IEC-61000-4-2)
- Heat overload protection technology
- Fully potted PC board
- UL Certified E360351

MR16 SPECS

| Wattage | 2W | 4W | 5W | 7W |
|--------------------|---|------|------|-------|
| Volt Amps | 3.34 | 6.35 | 8.33 | 11.11 |
| Lumens | 2700K | 165 | 325 | 380 |
| | 3000K | - | 350 | 400 |
| | 5700K | - | 400 | 450 |
| Beam Spread† | 15°, 30°, 60°, 108°, 120° | | | |
| Kelvin Temperature | 2700, 3000, 5700 | | | |
| Color | Amber (4W in 30° and 5W in 30° and 60°) Red (4W in 30° and 5W in 30° and 60°) Blue (4W in 30° and 5W in 30° and 60°) Green (4W in 30° and 5W in 30° and 60°) Silver Green (5W in 15°, 30° and 60°) | | | |
| Operating Range | 8-25 VAC/DC | | | |
| Replaces | 10W, 20W, 35W, 50W Halogen | | | |
| CRI | 85 | | | |
| IP | 61 | | | |
| Lamp Life (hrs.) | 50,000 | | | |
| Warranty (yrs.) | 5 | | | |



Part Number: **MR16-X-XXXX-XXX**

Wattage | Kelvin | Beam spread



† Select Beam Spreads Available in Stock. Call 800-867-2108 for availability.

PAR36



DESCRIPTION

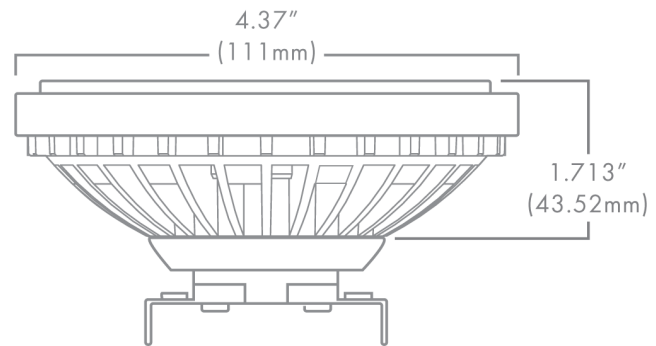
The Brilliance PAR36 lamp is designed to fit in standard low voltage PAR36 fixtures and offers a long lamp life. These LEDs are thermally engineered to operate in enclosed fixtures and provide added security by automatically cooling down and reducing lumen output when exposed to extreme heat, such as air temperatures above 125°F. There is no color shift when lumen output is reduced. Dimmable with Brilliance Dimmer and most magnetic transformers. Suitable for wet locations and for use in totally enclosed luminaires. Not for underwater use.

PAR36 FEATURES

- Earth tone colored housing
- Enhanced ESD (Electro-Static Discharge) protection (IEC-61000-4-2)
- Heat overload protection technology
- Fully potted PC board
- UL Certified E360351

PAR36 SPECS

| Wattage | 4W | 7W | 11W | 15W |
|---------------------------|---|-------|-------|-------|
| Volt Amps | 6.67 | 10.77 | 15.94 | 21.43 |
| Lumens | 2700K | 435 | 675 | 900 |
| | 3000K | 445 | 700 | 950 |
| | 5700K | - | 743 | 1333 |
| Beam Spread† | 15°, 30°, 60°, 120° | | | |
| Kelvin Temperature | 2700, 3000, 5700 | | | |
| Color† | Amber (7W and 11W in 30°) Red (7W and 11W in 30°) Blue (7W in 30° and 11W in 15° and 30°) Green (7W and 11W in 30°) Silver Green (7W in 15°, 30°, 60°, and 120° and 11W 15°, 30°, 60°) | | | |
| Operating Range | 8-25 VAC/DC | | | |
| Replaces | 20W, 35W, 50W Halogen | | | |
| CRI | 85 | | | |
| IP | 68 | | | |
| Lamp Life (hrs.) | 50,000 | | | |
| Warranty (yrs.) | 5 | | | |



Part Number: **PAR36-X-XXXX-XXX**



† Select Beam Spreads Available in Stock.
Call 800-867-2108 for availability.

STRIP LIGHT



DESCRIPTION

The Brilliance AC flexible Strip Light is rated for outdoor use. The LEDs on this Strip Light are encased in non-yellowing material. Brilliance Strip Light provides great accent lighting for stairs, railings, and overhangs, plus it installs easily. Incorporate it into a new project or connect it directly to an existing 8 to 16 VAC landscape lighting system. Dimmable with Brilliance Dimmer and most magnetic transformers.



STRIP LIGHT FEATURES

- Recommended max. length per power feed is 40 feet
- Available in 82.25 ft reels (25 meters) or 32.8 ft reels (10 meters)
- Enhanced ESD (Electro-Static Discharge) protection (IEC-61000-4-2)
- UL Certified E487030

Part Number: **BRI-SL3-XXXX-82**

BRI-SL3-XXXX-32

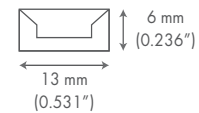
|
Kelvin

NEC® Article 411.5 (B): Lighting systems shall be installed not less than 3m (10ft) horizontally from the nearest edge of the water, unless permitted by Article 680.

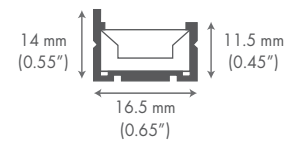
STRIP LIGHT SPECS

| | |
|---------------------------|---|
| Wattage | 1.8W per meter |
| Volt Amps | 3.0 per ft |
| Lumens | 45 per ft |
| Kelvin Temperature | 2700, 3000, 5000 |
| Color | Amber (82 ft. only) Blue (82 ft. only) |
| Operating Range | 8-16 VAC/DC |
| CRI | 80 |
| IP | 65 |
| Lamp Life (hrs.) | 35,000 |
| Warranty (yrs.) | 3 |

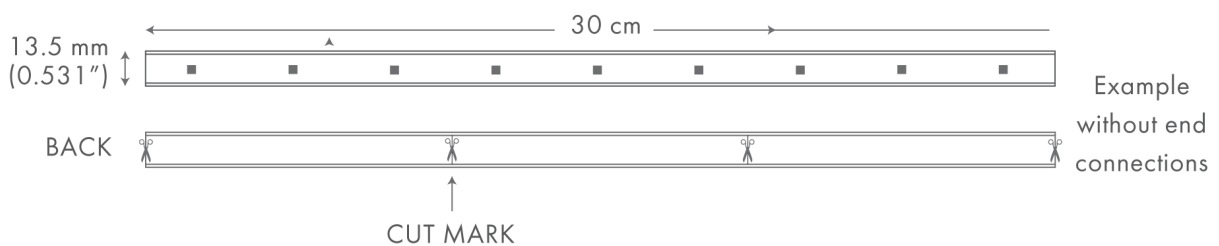
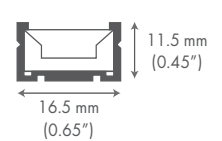
Strip Light



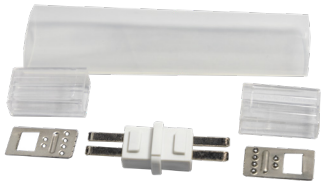
Channel w/
Groove & Glare Shield



Channel w/
Groove



STRIP LIGHT ACCESSORIES



Double-Sided Connector Kit

Part Number: BRI-SL-A-DSC
 1 - Double-sided connector
 2 - Clear plastic retainers
 2 - Metal anti-slip plates
 1 - Heat shrink tube



Jumper Connector Kit

Part Number: BRI-SL-A-JC
 1 - Jumper connector (10")
 2 - Clear plastic retainers
 2 - Metal anti-slip plates
 2 - Heat-shrink tubes



90 Jumper Connector Kit

Part Number: BRI-SL-A-90
 1 - Jumper connector (1")
 2 - Clear plastic retainers
 2 - Metal anti-slip plates
 2 - Heat-shrink tubes



Power Feed Kit

Part Number: BRI-SL-A-PF
 1 - Power feed (10')
 1 - Clear plastic retainer
 1 - Metal anti-slip plate
 1 - Heat-shrink tube



T Power Feed Connector Kit

Part Number: BRI-SL-A-T
 1 - "T" power feed connector (3.2')
 2 - Clear plastic retainers
 2 - Metal anti-slip plates
 2 - Heat-shrink tubes



End Cap Kit

Part Number: BRI-SL-A-EC
 1 - End cap
 1 - Light shield
 1 - Heat-shrink tube



Strip Light Channel w/ Groove

Part Number: BRI-SL-A-C
 1M (3.2') Channel sections
 5 - Screws



Strip Light Channel w/ Groove & Glare Shield

Part Number: BRI-SL-A-C2
 1M (3.2') Channel sections
 5 - Screws



Clip & Screw Kit

Part Number: BRI-SL-A-C&S
 50 - Plastic clips
 100 - Screws



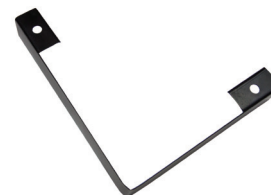
Diffuser

Part Number: BRI-SL-A-CD
 1M (3.2') section



Attachment Clip

Part Number: BRI-SL-A-AC



Stealth Connector Shields

Part Number: SL-SCS (8")
 Part Number: SL-SCS-w/FACIA (8" w/Facia)

WAVE STRIP LIGHT



DESCRIPTION

Brilliance Wave Strip Light is made specifically to flex left and right for indoor or outdoor applications with a radius and are perfect for fire pits, stairs, hardscaping, and overhangs. Just like our original strip light, the LEDs are encased in a UV protected material and can be incorporated to a new project or connected directly to an existing 8 to 16 VAC landscape lighting system. Dimmable with Brilliance Dimmer and most magnetic transformers. Reference our product and installation guide for assembly instructions and best practices.



Part Number: **BRI-WAVE-2700-65**

Kelvin

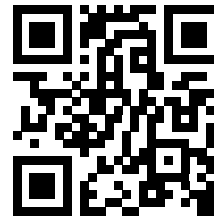
WAVE STRIP LIGHT FEATURES

- Recommended max. length per power feed is 22 feet
- Available in 65.62 ft. reels (20 meters)
- Enhanced ESD (Electro-Static Discharge) protection (IEC-61000-4-2)
- UL Certified E487030

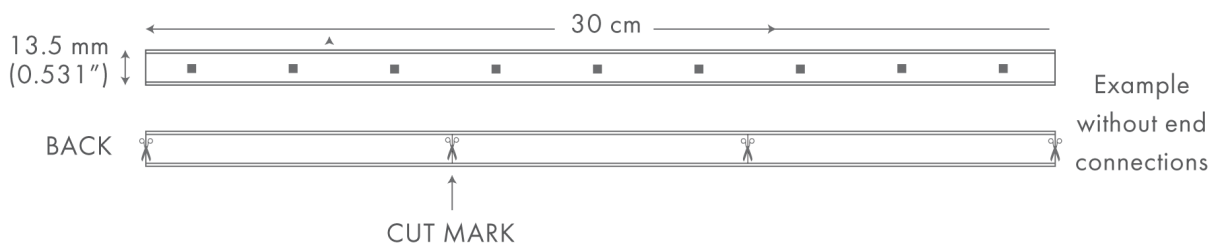
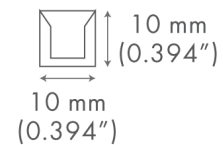
NEC® Article 411.5 (B): Lighting systems shall be installed not less than 3m (10ft.) horizontally from the nearest edge of the water, unless permitted by Article 680.

WAVE STRIP LIGHT SPECS

| | |
|---------------------------|-----------------------|
| Wattage | 4.5W per meter |
| Volt Amps | 2.5 per ft. |
| Lumens | 30 per ft. |
| Kelvin Temperature | 2700 |
| Operating Range | 8-16 VAC/DC |
| CRI | 80 |
| IP | 65 |
| Lamp Life (hrs.) | 35,000 |
| Warranty (yrs.) | 3 |



Best Practices Video



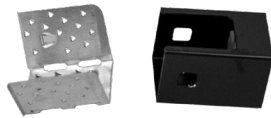
WAVE STRIP LIGHT ACCESSORIES



Power Feed Kit
Part Number: BRI-WAVE-A-PF
1 - Power Feed w/ Metal Cover
1 - Metal Anti-Slip Plate



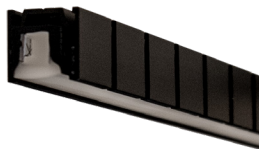
Jumper Connector Kit
Part Number: BRI-WAVE-A-JC
1 - Jumper Connector
2 - Metal Covers
2 - Metal Anti-Slip Plates



End Cap Kit
Part Number: BRI-WAVE-A-EC
1 - End Cap
1 - Metal Anti-Slip Plate



Channel Mounting Plate
Part Number: BRI-WAVE-A-MP
1 - Mounting Plate
1 - Screw



Channel - Bendable
Part Number: BRI-WAVE-A-BC
1M (3.2') Channel sections
1 - Bendable Channel
5 - Screws



Channel - Standard
Part Number: BRI-WAVE-A-SC
1M (3.2') Channel sections
1 - Standard Channel
5 - Screws

LOW VOLTAGE



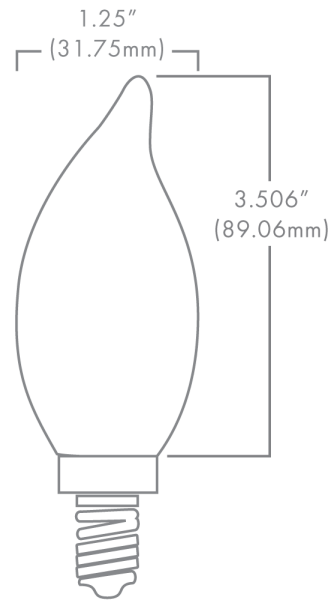
CANDELABRA EDGE FILAMENT

DESCRIPTION

The Brilliance Candelabra Edge Filament lamp is a decorative light source and gives the effect of an original Edison lamp, making it great for indoor chandeliers and anywhere a warm light is desired. Dimmable with Brilliance Dimmer and most magnetic transformers.

CANDELABRA EDGE FILAMENT FEATURES

- Flame tip style
- Clear, omni-directional light source
- Elegant, exposed filament design
- UL Certified E360351



Part Number: **CAN-FIL-F-XX-XXXX-C-12**

Wattage Kelvin

CANDELABRA EDGE FILAMENT SPECS

| Wattage | 2W | 3.5W |
|--------------------|------------------|------|
| Volt Amps | 2.35 | 4.12 |
| Lumens | 2700K | 105 |
| | 3000K | 240 |
| Kelvin Temperature | 2700, 3000 | |
| Operating Range | 12 VAC/DC | |
| Replaces | 40W Incandescent | |
| CRI | 90 | |
| IP | 64 | |
| Lamp Life (hrs.) | 30,000 | |
| Warranty (yrs.) | 3 | |



LOW VOLTAGE

S14 EDGE FILAMENT



DESCRIPTION

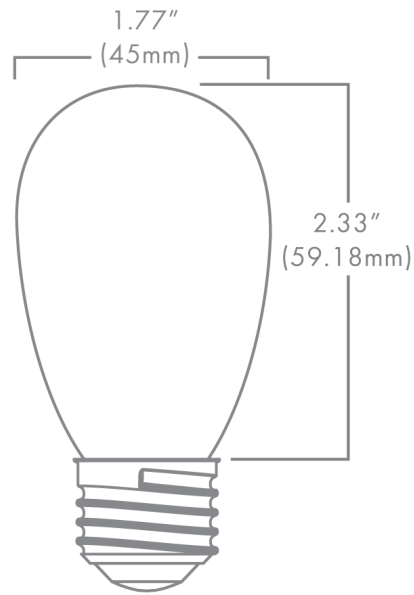
The Brilliance S14 Edge Filament is designed specifically for use in open outdoor fixtures where precision lighting and high color rendering is desired. This lamp is ideal for inverted bistro style lighting. Dimmable with Brilliance Dimmer and most magnetic transformers.

S14 EDGE FILAMENT FEATURES

- Clear, omni-directional light source
- Elegant, exposed filament design
- UL Certified E360351

S14 EDGE FILAMENT SPECS

| Wattage | 1W | 2W | 3.5W | |
|--------------------|------------|------|------|-----|
| Volt Amps | 1.33 | 2.67 | 3.93 | |
| Lumens | 2700K | 75 | 125 | 240 |
| | 3000K | - | 135 | 270 |
| Kelvin Temperature | 2700, 3000 | | | |
| Operating Range | 12 VAC/DC | | | |
| CRI | 95 | | | |
| IP | 64 | | | |
| Lamp Life (hrs.) | 30,000 | | | |
| Warranty (yrs.) | 3 | | | |



Part Number: **S14-FIL--XX-XXXX-12**

Wattage Kelvin



LOW VOLTAGE BISTRO STRING REEL

DESCRIPTION

The Brilliance Low Voltage Bistro String Reel comes in a 328 ft. spool (100m) and can be cut to length per your requirements. Use this low voltage bistro string with the corresponding low voltage string connection accessories for custom length bistro lighting. This string is for use with low voltage lamps only. Dimmable with Brilliance Dimmer and most magnetic transformers. Mounting cable and turnbuckles are not included. Connection accessories and lamps are sold separately.

LOW VOLTAGE BISTRO STRING REEL FEATURES

- Patented design (U.S. Patent D898986S)
- Uses 14 AWG cable and features a waterproof seal
- Two-way mounting holes at each lamp position eliminate the need for zip ties and creates a more secure installation for the life of the string lights

LOW VOLTAGE BISTRO STRING REEL SPECS

| | |
|---|--|
| Operating Range | 12VAC |
| Total Length | 328 feet reel (100 meters) Can be cut to length |
| String Lead Length | At least 10 inches of lead required for connections |
| Distance Between Lamp Positions | 24 inches between lamps |
| Includes | Low Voltage Bistro String (14 AWG) |
| Connection Accessories Available | Straight Connector: 1 per cable conversion T Connector: 1 per center feed End Cap: 1 per string end |
| Warranty (yrs.) | 2 |

S14 LAMP REQUIREMENTS

| Lamp | 1W, 12VAC | 2W, 12VAC | 3.5W, 12 VAC |
|---------------------------|---------------------------|---------------------------|--------------------------|
| Max. # of Lamps | 75 | 50 | 30 |
| Max. Wattage | 125.25 with VA | 117.5 with VA | 117.9 with VA |
| Max. String Length | 150 ft. end-to-end | 100 ft. end-to-end | 60 ft. end-to-end |



Part Number:

LOW-VOLT-BISTRO-REEL

NEC® Article 411.5 (B): Lighting systems shall be installed not less than 3m (10ft.) horizontally from the nearest edge of the water, unless permitted by Article 680.



Two-way mounting holes



BISTRO 12 VOLT STRING KIT

DESCRIPTION

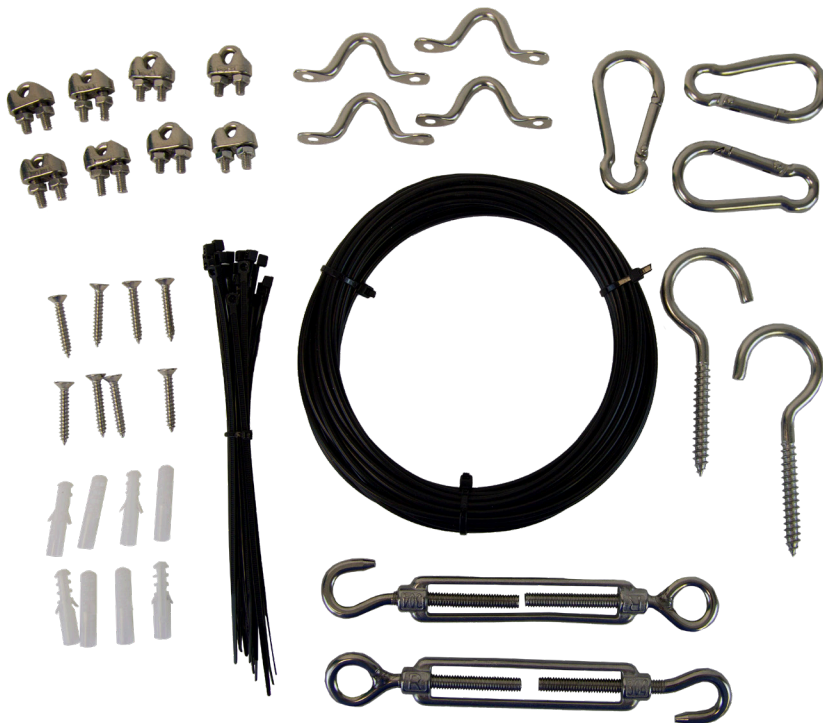
A great addition to any outdoor lighting job, bistro lights add a touch of elegance and ambience for entertaining, the Brilliance Bistro 12 Volt String Kit comes in 26 ft., 52 ft, 98 ft and 150 ft kit options. Use this low voltage bistro string with the corresponding low voltage string connection accessories for custom length bistro lighting. This string is for use with low voltage lamps only. Dimmable with Brilliance Dimmer and most magnetic transformers. Each kit includes bistro string, and hanging kit. Lamps and connector accessories sold separately.

BISTRO 12 VOLT STRING KIT FEATURES

- Patented design (U.S. Patent D898986S)
- Uses 14 AWG cable and features a waterproof seal
- Two-way mounting holes at each lamp position eliminate the need for zip ties and creates a more secure installation for the life of the string lights
- Fully dimmable



NEC® Article 411.5 (B): Lighting systems shall be installed not less than 3m (10ft) horizontally from the nearest edge of the water, unless permitted by Article 680.



Two-way mounting holes



BISTRO 12 VOLT STRING KIT SPECS

| | | | | |
|---|---|----------------|----------------|-----------------|
| Operating Range | 12VAC | | | |
| Total Length | 26 ft, 50 ft, 98 ft or 150 ft | | | |
| String Lead Length | At least 10 inches of lead required for connections | | | |
| Distance Between Lamp Positions | 24 inches between lamps | | | |
| Connection Accessories Available | Straight Connector: 1 per cable conversion T Connector: 1 per center feed End Cap: 1 per string end | | | |
| Includes | Low Voltage Bistro String (14 AWG) | | | |
| Item | 26' Kit | 50' Kit | 98' Kit | 150' Kit |
| Sockets | 12 | 24 | 48 | 74 |
| String length (in feet) | 26 | 50 | 98 | 150 |
| Hanging Kit | | | | |
| Cable Length (in feet) | 56' | 56' | 156' | 156' |
| Turnbuckles | 2 | 2 | 4 | 4 |
| Wire Clamps | 8 | 8 | 16 | 16 |
| Zip Ties | 25 | 25 | 50 | 50 |
| Hooks | 2 | 2 | 4 | 4 |
| Plastic Anchors | 8 | 8 | 16 | 16 |
| Screws | 8 | 8 | 16 | 16 |
| Carabiners | 4 | 4 | 8 | 8 |
| Guides | 4 | 4 | 8 | 8 |
| Warranty (yrs.) | 2 | | | |



Part Numbers:

- BISTROKIT-26-12V-NL**
- BISTROKIT-50-12V-NL**
- BISTROKIT-98-12V-NL**
- BISTROKIT-150-12V-NL**

S14 LAMP REQUIREMENTS

| | | | |
|---------------------------|-------------------|-------------------|------------------|
| Lamp | 1W, 12VAC | 2W, 12VAC | 3.5W, 12 VAC |
| Max. # of Lamps | 75 | 50 | 30 |
| Max. Wattage | 125.25 with VA | 117.5 with VA | 117.9 with VA |
| Max. String Length | 150 ft end-to-end | 100 ft end-to-end | 60 ft end-to-end |

Photograph courtesy of National Lawn Sprinklers & Outdoor Living

120VAC

LINE VOLTAGE

CANDELABRA EDGE FILAMENT



DESCRIPTION

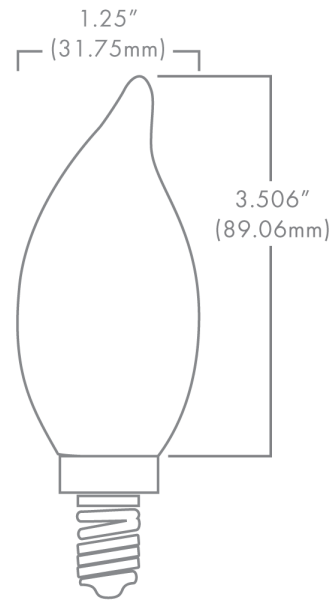
The Brilliance Candelabra Edge Filament lamp is a decorative light source and gives the effect of an original Edison lamp, making it great for indoor chandeliers and anywhere a warm light is desired.

CANDELABRA EDGE FILAMENT FEATURES

- Flame tip style
- Clear omni-directional light source
- Elegant, exposed filament design
- UL Certified E360351

CANDELABRA EDGE FILAMENT SPECS

| | |
|---------------------------|-------------------------|
| Wattage | 3.5W |
| Volt Amps | 3.89 |
| Lumens | 240 |
| Kelvin Temperature | 2700 |
| Operating Range | 120 VAC |
| Replaces | 40W Incandescent |
| CRI | 90 |
| IP | 64 |
| Lamp Life (hrs.) | 30,000 |
| Warranty (yrs.) | 3 |



Part Number: **CAN-FIL-F-2700-C-120**



S14 EDGE FILAMENT



DESCRIPTION

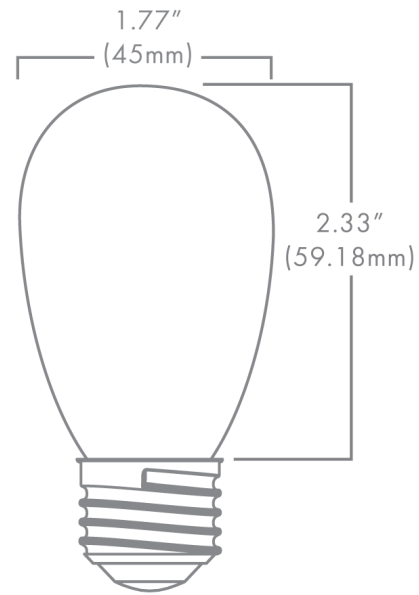
The Brilliance S14 Edge Filament is designed specifically for use in both open outdoor and indoor fixtures where precision lighting and high color rendering is desired, giving the effect of an original Edison lamp. This lamp is ideal for inverted bistro style lighting.

S14 EDGE FILAMENT FEATURES

- Clear, omni-directional light source
- Elegant, exposed filament design
- UL Certified E360351

S14 EDGE FILAMENT SPECS

| | | |
|---------------------------|----------------|-------------|
| Wattage | 2.5W | 3.5W |
| Volt Amps | 2.78 | 3.89 |
| Lumens | 120 | 295 |
| Kelvin Temperature | 2700 | |
| Operating Range | 120 VAC | |
| CRI | 95 | |
| IP | 64 | |
| Lamp Life (hrs.) | 30,000 | |
| Warranty (yrs.) | 3 | |



Part Number: **S14-FIL-X-XXXX-120**

Wattage Kelvin



A19 EDGE FILAMENT



DESCRIPTION

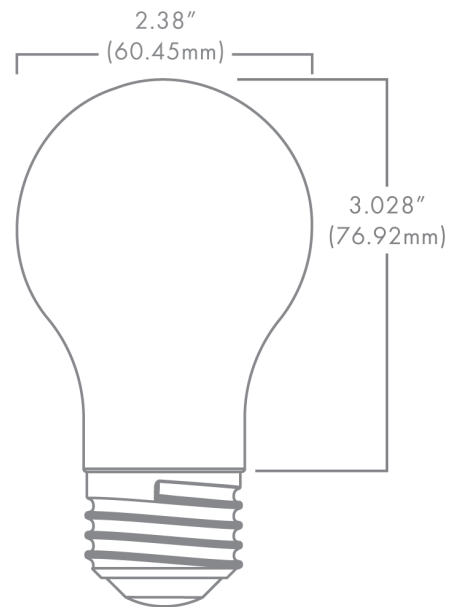
The Brilliance A19 Edge Filament lamp is a decorative light source and gives the effect of an original Edison lamp. This lamp is great for any place a warm light is desired.

A19 EDGE FILAMENT FEATURES

- Clear, omni-directional light source
- Elegant, exposed filament design
- UL Certified E360351

A19 EDGE FILAMENT SPECS

| | |
|---------------------------|-------------------------|
| Wattage | 6.5W |
| Volt Amps | 7.22 |
| Lumens | 500 |
| Kelvin Temperature | 2700 |
| Operating Range | 120 VAC |
| Replaces | 60W Incandescent |
| CRI | 95 |
| IP | 64 |
| Lamp Life (hrs.) | 30,000 |
| Warranty (yrs.) | 3 |



Part Number: **A19-FIL-EDGE-XXXX**

Kelvin



BLAZE CANDELABRA



DESCRIPTION

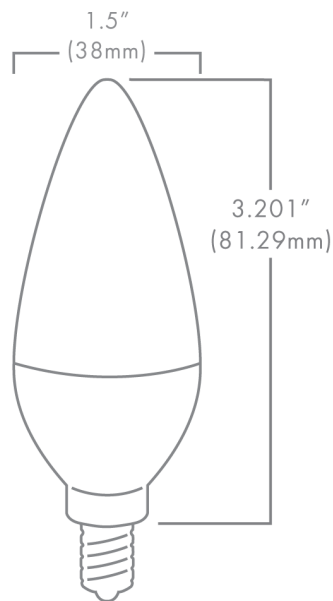
The Brilliance Blaze Candelabra is a specialty lamp designed specifically to create a real, flame-like effect. Perfect for coach lights or anywhere you want a warm, flickering light. The Blaze series is also offered in low voltage in a G4 option.

BLAZE CANDELABRA FEATURES

- Single lamp mode flickering flame effect
- UL Certified E360351

BLAZE CANDELABRA SPECS

| | |
|---------------------------|------------------|
| Wattage | 3W |
| Volt Amps | 3.75 |
| Lumens | 30-150 |
| Kelvin Temperature | 1700-1900 |
| Operating Range | 120 VAC |
| IP | 60 |
| Lamp Life (hrs.) | 30,000 |
| Warranty (yrs.) | 3 |



Part Number: **BRI-BLAZE-CANDELABRA**



LINE VOLTAGE BISTRO STRING LIGHT KIT



DESCRIPTION

The Brilliance Line Voltage Bistro String Light Kit is designed with two-way mounting holes for easy installation. The connection points are weather sealed, making all 48 feet of string outdoor ready.

LINE VOLTAGE BISTRO STRING LIGHT KIT FEATURES

- Patented design (U.S. Patent D898986S)
- String features a waterproof seal
- Two-way mounting holes at each lamp position eliminate the need for zip ties and create a more secure installation for the life of the string lights
- ETL Listed 5020354

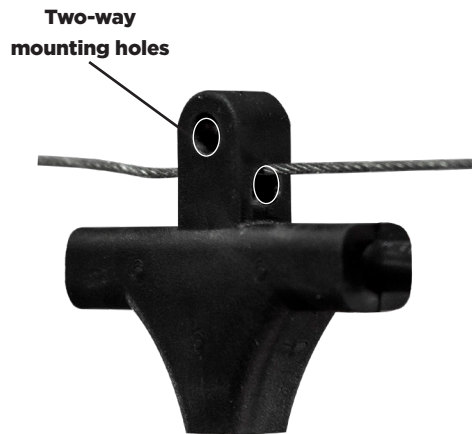
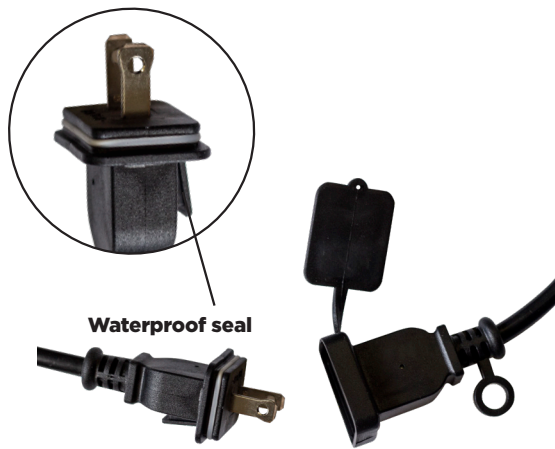
LINE VOLTAGE BISTRO STRING LIGHT KIT

| | |
|---------------------------|---|
| Operating Range | 120VAC |
| Total Length | 48 ft |
| String Lead Length | 15 in. on both ends |
| Lamp Positions | 24 |
| Includes | 24 S14 Filament, 2.5W, 2700K Lamps, Bistro String, 2 Replacement Fuses |
| Warranty (yrs.) | String: 2yrs Lamps: 3yrs |



Part Number:
LINE-VOLT-BISTRO-KIT

NEC® Article 411.5 (B): Lighting systems shall be installed not less than 3m (10ft) horizontally from the nearest edge of the water, unless permitted by Article 680.





SMART PRODUCTS & CONTROLS



BRILLIANCE LED
A HIGHER LIGHT FORM™

BRILLIANCE



ACTIVATE INTELLIGENT LIGHT

Scan the QR Code below to download Brilliance Smart!

With Brilliance Smart, you have control over all of our Smart Products from anywhere in the world by using an iOS or Android device.

Smart Products:

Chameleon Programming Puck
Chameleon G4 Bi-Pin
Chameleon MR16
Chameleon PAR36
Wi-Fi Smart Socket 3
Sector Selector

For more information, visit:
brillianceled.com/smart-products



ACTIVATE INTELLIGENT LIGHT



CHAMELEON PROGRAMMING PUCK



DESCRIPTION

The Brilliance Chameleon Programming Puck is a handy tool to set up any Chameleon series lamp, using any 12-volt AC or DC power source. Battery pack and batteries included.



Part Number:
PROGRAMMING-PUCK

CHAMELEON G4 BI-PIN

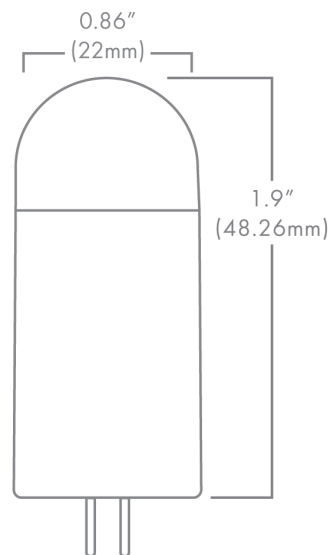


DESCRIPTION

Bring color to your lighting design with Brilliance Chameleon G4 lamps. Control dimming from 2200K to 5700K and a wide range of reds, greens, and blues from your smart device. Suitable for damp locations and for use in totally enclosed luminaires. Not for underwater use.

CHAMELEON G4 BI-PIN FEATURES

- Wi-Fi enabled
- RGBW - 2200K to 5700K and a wide range of reds, greens, and blues
- Control landscape lighting from your smart phone
- Use Brilliance Smart app to change lamp settings
 - Turn on and off
 - Set and change colors
 - Set and control dimming
 - Set and control schedules
 - Set astronomical timers for sunrise/sunset
 - Program custom scenes to run with one tap
 - Control devices independently or as a group
- Android and iOS compatible



Part Number: **BRI-G4-CHM-2.5-RGBW**

CHAMELEON G4 BI-PIN SPECS

| | |
|---------------------------|-------------------------|
| Wattage | 2.5W |
| Volt Amps | 4.17 |
| Lumens | 190-250 |
| Kelvin Temperature | 2200-5700 |
| Beam Spread | Omni-directional |
| Color | RGBW |
| Input Voltage | 8-18 VAC/DC/60Hz |
| Replaces | 20W Halogen |
| CRI | 80 |
| IP | 65 |
| Lamp Life (hrs.) | 50,000 |
| Warranty (yrs.) | 5 |



TECHNICAL REQUIREMENTS: Must have consistent 2.4 GHz Wi-Fi signal at the installation location with dBm strength of -70 or better. See the Brilliance Smart Products Guide for more information and troubleshooting.



Brilliance Smart app



Chameleon Set Up



CHAMELEON MR16

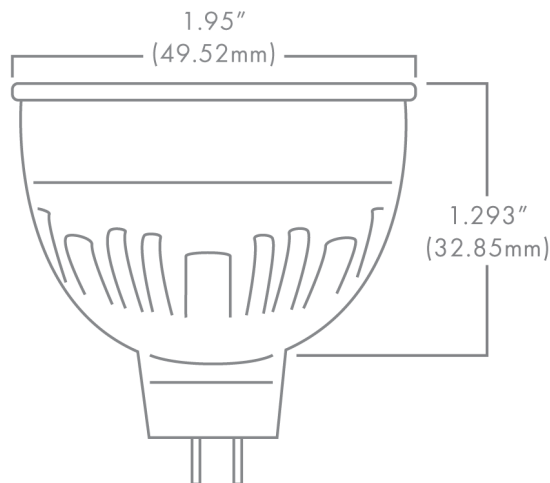


DESCRIPTION

Bring color to your lighting design with Brilliance Chameleon MR16 lamps. Control dimming from 2200K to 5700K and a wide range of reds, greens, and blues from your smart device. Suitable for damp locations and for use in totally enclosed luminaires. Not for underwater use.

CHAMELEON MR16 FEATURES

- Wi-Fi enabled
- RGBW - 2200K to 5700K and a wide range of reds, greens, and blues
- Control landscape lighting from your smart phone
- Use Brilliance Smart app to change lamp settings
 - Turn on and off
 - Set and change colors
 - Set and control dimming
 - Set and control schedules
 - Set astronomical timers for sunrise/sunset
 - Program custom scenes to run with one tap
 - Control devices independently or as a group
- Android and iOS compatible



Part Number: **BRI-MR16-CHM-6-RGBW-38**



TECHNICAL REQUIREMENTS: Must have consistent 2.4 GHz Wi-Fi signal at the installation location with dBm strength of -70 or better. See the Brilliance Smart Products Guide for more information and troubleshooting.

CHAMELEON MR16 SPECS

| | |
|---------------------------|--------------------------|
| Wattage | 6W |
| Volt Amps | 9.23 |
| Lumens | 328-441 |
| Kelvin Temperature | 2200-5700 |
| Beam Spread | 38° |
| Color | RGBW |
| Input Voltage | 11-18 VAC/DC/60Hz |
| Replaces | 35W Halogen |
| CRI | 80 |
| IP | 61 |
| Lamp Life (hrs.) | 50,000 |
| Warranty (yrs.) | 5 |



Brilliance Smart app



Chameleon Set Up



CHAMELEON PAR36



DESCRIPTION

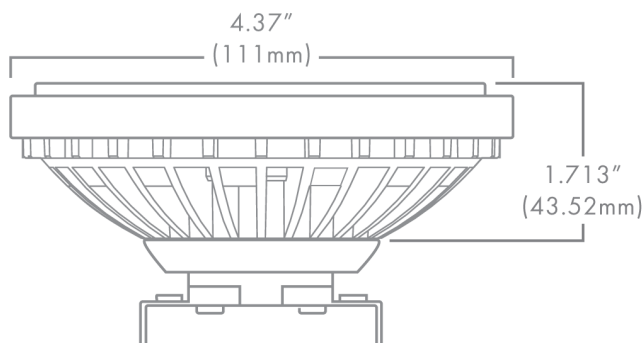
Bring color to your lighting design with Brilliance Chameleon PAR36 lamps. Control dimming from 2200K to 5700K and a wide range of reds, greens, and blues from your smart device. Suitable for damp locations and for use in totally enclosed luminaires. Not for underwater use.

CHAMELEON PAR36 FEATURES

- Wi-Fi enabled
- RGBW - 2200K to 5700K and a wide range of reds, greens, and blues
- Control landscape lighting from your smart phone
- Use Brilliance Smart app to change lamp settings
 - Turn on and off
 - Set and change colors
 - Set and control dimming
 - Set and control schedules
 - Set astronomical timers for sunrise/sunset
 - Program custom scenes to run with one tap
 - Control devices independently or as a group
- Android and iOS compatible

CHAMELEON PAR36 SPECS

| | |
|---------------------------|-------------------------|
| Wattage | 9W |
| Volt Amps | 13.85 |
| Lumens | 442-686 |
| Kelvin Temperature | 2200-5700 |
| Beam Spread | 15°, 30°, 60° |
| Color | RGBW |
| Input Voltage | 8-25 VAC/DC/60Hz |
| Replaces | 35W Halogen |
| CRI | 80 |
| IP | 67 |
| Lamp Life (hrs.) | 50,000 |
| Warranty (yrs.) | 5 |



Part Number: **BRI-PAR36-CHM-9-RGBW-XX**

Beam spread



TECHNICAL REQUIREMENTS: Must have consistent 2.4 GHz Wi-Fi signal at the installation location with dBm strength of -70 or better. See the Brilliance Smart Products Guide for more information and troubleshooting.



Brilliance Smart app



Chameleon Set Up



WI-FI SMART SOCKET 3.0

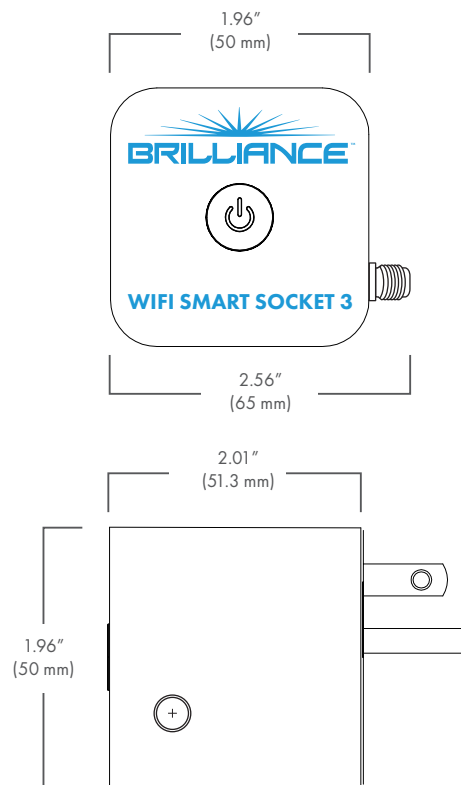


DESCRIPTION

The Brilliance Wi-Fi Smart Socket 3.0 is designed specifically to pair with a landscape lighting transformer in lieu of a traditional photocell, however you can also use it in outdoor enclosures for lighting and decor, and even indoors for any electronic device. Remotely control your lighting and electronics from anywhere in the world with the Brilliance Smart app.

WI-FI SMART SOCKET 3.0 FEATURES

- New antenna promotes improved Wi-Fi signal
- Plugs directly into 120 VAC outlet
- Made for indoor or outdoor enclosures
- Conformal coating circuits protect against humidity
- Control landscape lighting and electronics from Brilliance Smart App
 - Turn on or off from anywhere
 - Set and change timers
 - Share devices with family
 - Use third-party controls like Alexa and Google Assistant
- Android and iOS compatible
- ETL Listed in US and Canada
- Easy access to instruction via QR code on top



Part Number:

BRI-WIFI-SMART-SOCKET-3

WI-FI SMART SOCKET 3.0 SPECS

| | |
|------------------------|----------------|
| Capacity | 10 Amps |
| Input Voltage | 120 VAC |
| ETL Listed Mark | 5025307 |
| IP | 61 |
| Warranty (yrs.) | 2 |



TECHNICAL REQUIREMENTS: Must have consistent 2.4 GHz Wi-Fi signal at the installation location with dBm strength of -70 or better. See the Brilliance Smart Products Guide for more information and troubleshooting. Must be placed in landscape lighting transformer or in a covered receptacle box.

BRILLIANCE LED DIMMER



DESCRIPTION

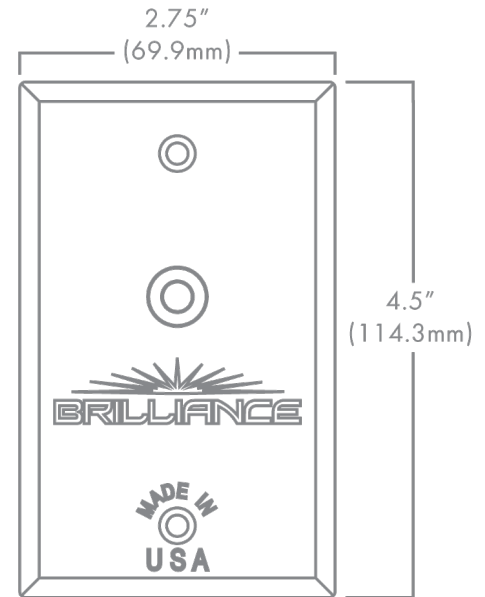
The Brilliance LED Dimmer provides 12 VAC dimming for up to 120 Watts. This unit can be mounted next to the 12 VAC transformer or anywhere in the field, and is compatible with all Brilliance LED lamps. Note that the Dimmer range may vary depending upon load that is applied. Made in America.

BRILLIANCE LED DIMMER FEATURES

- Installs in single-gang deep junction box on the low-voltage side of magnetic step-down transformer
- Includes: Dimmer Plate; Gasket; Wire Nuts; Plate Screws; Spare Fuse; Set Up Instructions

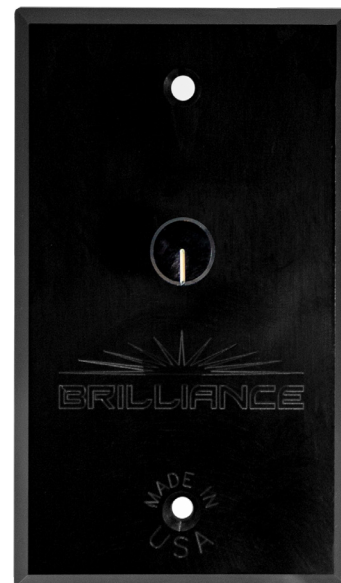
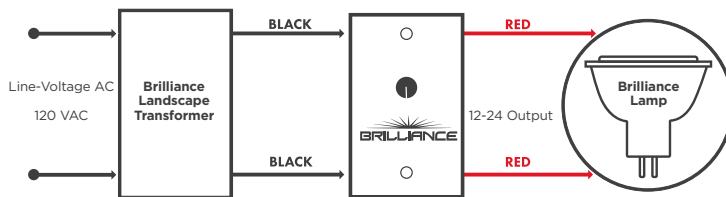
BRILLIANCE LED DIMMER SPECS

| | |
|------------------------|------------------|
| Wattage | 120 |
| Operating Range | 12-15 VAC |
| Capacity | 10 Amps |
| Minimum Load | None |
| IP | 63 |
| Warranty (yrs.) | 3 |



Part Number:
12-VAC-DIMMER-SWITCH

WIRING DIAGRAM



TECHNICAL REQUIREMENTS: Always use the supplied gasket to protect against water ingress. In applications where the environment can be extremely wet, we recommend using a cover to protect against water ingress.

TRANSFORMERS



DESCRIPTION

The Brilliance Transformer features a high-quality, stainless steel case and includes multi taps to accommodate voltage drop. Available in 75, 150, 300, and 600 watts, these transformers are sure to support any size of project.

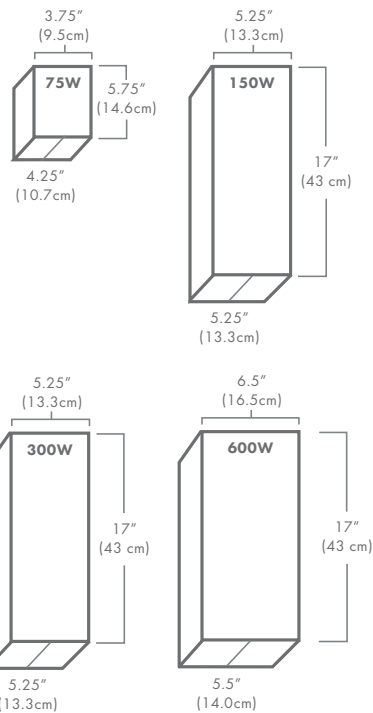
Pair with the Smart Socket 3.0 (sold separately) for astronomical timing via the Brilliance Smart app.

Pair with a Photocell (sold separately) for technology-free astronomical timing.

Create up to four zones on a single transformer with up to 200 Watts per sector with the award-winning Sector Selector (sold separately).

TRANSFORMER FEATURES

- UL 1838 Certified
- Secondary circuit breaker
- Two knockout sizes for conduit
- Removable bottom & 4ft. Grounded plug
- Canted terminal block for easy access



Part Number:

BRI-XFORMER-XXX

Wattage



75W



150W



300W



600W



BRI-XFORMER-300

TRANSFORMER SPECS

| | | | | |
|----------------------------------|---------------------------|---------------------------|---------------------------|---|
| Wattage | 75 | 150 | 300 | 600 |
| Finish | Stainless Steel | Stainless Steel | Stainless Steel | Stainless Steel |
| Timer | Included | Compatible | Compatible | Compatible |
| Secondary Circuit Breaker | Red | Orange | White | Circuit #1 & Circuit #2, White |
| Multi Tap | 12V, 15V | 12V, 13V, 14V, 15V | 12V, 13V, 14V, 15V | 12V, 14V, 16V, 18V, 20V, 22V |
| Dimensions (in.) | 3.75 x 5.75 x 4.25 | 5.25 x 17 x 5.25 | 5.25 x 17 x 5.25 | 6.5 x 17 x 5.5 |
| Dimmable | On Primary Side | On Primary Side | On Primary Side | On Primary Side |
| Warranty | Lifetime | Lifetime | Lifetime | Lifetime |

TECHNICAL REQUIREMENTS: Design and plan lighting systems with volt amps in mind. Use the Brilliance Volt Amps chart to estimate the total draw on the system and choose the appropriate size of transformer accordingly.

BRILLIANCE RELAY

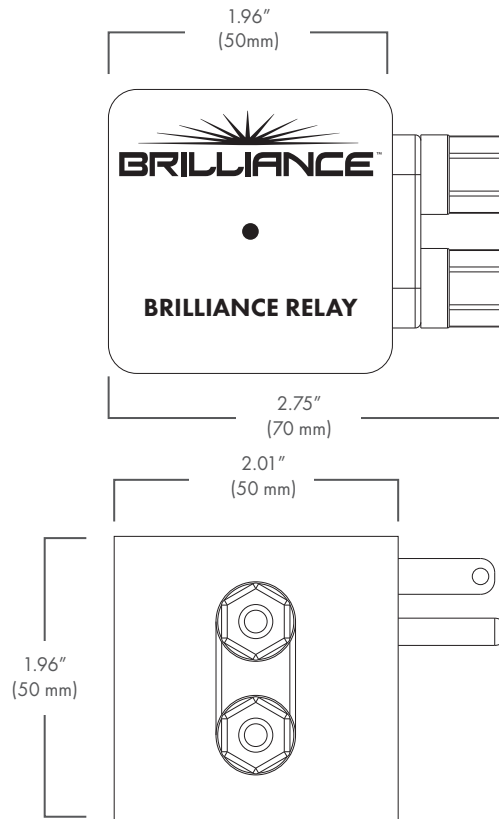


DESCRIPTION

The Brilliance Relay is a switch that allows you to control another landscape lighting transformer down the line with a single timing device, like a photocell or a Brilliance Smart Socket 3.0. You can use as many Brilliance Relays as needed in a system, and all the Relays in the system use the same initial timing device. This is helpful when you need to synchronize multiple transformers to operate at the same time. The 12-15 VAC connection activates the on/off function of the Relay device.

BRILLIANCE RELAY FEATURES

- Designed specifically for landscape lighting transformers
- Plugs directly into 120 VAC outlet
- Ensures the entire system is timed the same since they all use the same timing device
- Conformal coating circuits protect against the elements
- ETL Listed in US and Canada
- Easy access to instruction via QR code on top



Part Number:

BRI-RELAY

BRILLIANCE RELAY SPECS

| | |
|------------------------|----------------------|
| Input Voltage | 120 VAC |
| Frequency | 50/60 Hz |
| Operating Range | 32°F to 131°F |
| Wattage | 1200W |
| Capacity | 10 Amps |
| Minimum Load | None |
| IP | 50 |
| Warranty (yrs.) | 3 |



TECHNICAL REQUIREMENTS: For indoor use or use in an electrical enclosure, such as a transformer or a junction box. Directly plug in with the main supply. See the Brilliance Relay Product and Installation Guide for more information.

SECTOR SELECTOR



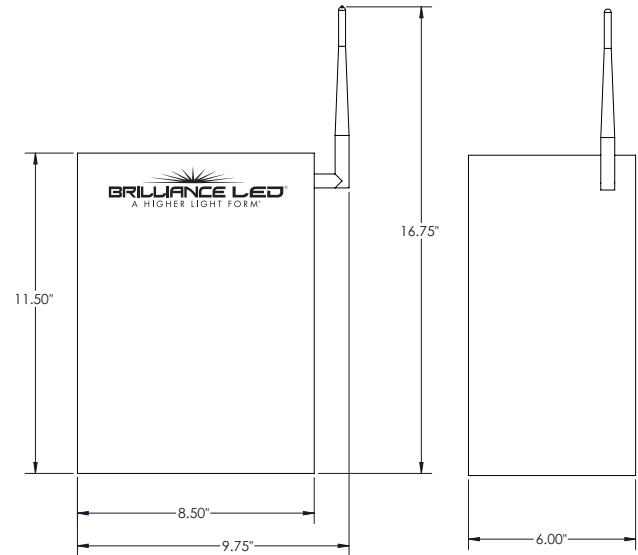
DESCRIPTION

Use the Brilliance Sector Selector to create specific sectors or zones that can be controlled independently from a single transformer. The Sector Selector can split a single transformer into four separate zones with up to 200 watts to each sector.

Use these zones to separate lighting schedules and scenarios to create special scenes or layers of light in your landscaping. For example, separate a front yard from a back yard, or independently control lighting for water/architectural features, outdoor kitchens, around pool and spa areas, outdoor decks or seating areas, or path and garden lighting.

SECTOR SELECTOR FEATURES

- Compatible with any transformer and works on AC/DC
- Create up to four zones on a single transformer, with up to 200 Watts per sector, and manage with the Brilliance Smart App
- Fitted with two 3/4" PVC conduit adapters to accommodate four 12-2 AWG cables
- Installs on the low-voltage side of magnetic transformer
- Unit receives its power through Sector 1 and draws 5 Watts in order to function
- Includes: Sector Selector Enclosure; (4) Enclosure Mounting Tabs with Screws; (4) Exterior Mounting Anchors with Screws; High Range Antenna; (20) U Connectors; (2) Terminal Covers; Sector Chart; Product and Installation Guide



Part Number:

BRI-SECTOR-SELECTOR

2022 
NEW PRODUCT
CONTEST Winner
Irrigation Association

GOLD | Landscape Lighting Category



SECTOR SELECTOR SPECS

| | |
|------------------------|-----------------------|
| Wattage | 200 per Sector |
| Input Voltage | 12-24 VAC/DC |
| Capacity | 800W |
| Minimum Load | None |
| IP | 65 |
| Warranty (yrs.) | 3 |

METAL WORKS

LANDSCAPE LIGHTING FIXTURES



VERSA BEAM



Metal Works Website

VERSA BEAM

Modular Integrated Fixture



DESCRIPTION

The Brilliance Versa Beam is designed to be an easy-to-install, versatile light source. The Versa Beam can be used to achieve nearly any lighting configuration in landscape lighting designs. Because of its modular design, the Versa Beam can be used in hanging applications, hardscape applications, in ground applications, and overall landscape lighting. It provides indirect light for interest, as well as safety. It is dimmable with the Brilliance Dimmer and most magnetic transformers. ETL Certified for UL 1838 and CSA C22.2 Standards.

All configuration options use the same light engine with 3W, 180 lumen output, 8-15 VAC, and 90 CRI. The brass light engine housing ensures the Versa Beam dissipates heat efficiently while withstanding harsh elements and is rated IP 65. Best of all, the Versa Beam comes fully assembled with finish and configuration option of your choice already attached, so it is ready to use out of the box.

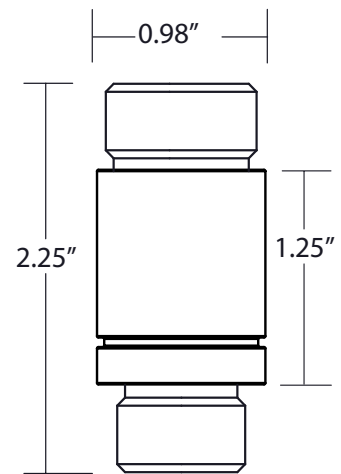
If used as a directional light, the 30 degree optic is pre-installed. If you prefer the 15, or 60 degrees, choose optic of your choice from the interchangeable options, or remove the optic for a wider beam angle. Then, simply install the fixture in one of its many applications.

In hardscape and masonry applications, the Versa Beam is designed to be recessed into standard 1" electrical conduit, making rough-ins simple, without the need for complicated back boxes or pour sleeves.

Standard Versa Beam Light Engine



Brass (BR) Nickel (NI) Brass + Black (BK)



Standard Versa Beam Light Engine

VERSA BEAM

| | |
|-----------------|--|
| Use | Areas with Elevation Changes, Hardscape, Hanging or Overall Landscape Lighting |
| Finish | Brass, Nickel, Brass + Black |
| Includes | Versa Beam Light Engine, 12ft. Lead, See each configuration for additional items included |
| Warranty | 5 Year Warranty on Versa Beam Fixtures |

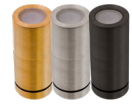


VERSA BEAM CONFIGURATIONS

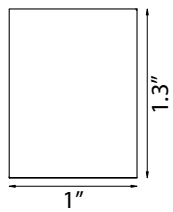
2700K

3000K

| | | 2700K | 3000K |
|--------------|---|--|--|
| VB-01 | <p>CAP: Uplighting applications <i>Includes Cap, Light Engine, Optics (15°, 30°, 60°), Honeycomb Louver, & Bamboo/Polypropylene Mounting Stake</i></p> | <p>VB-01-BR-2700 VB-01-BK-2700 VB-01-NI-2700</p> | <p>VB-01-BR-3000 VB-01-BK-3000 VB-01-NI-3000</p> |
| VB-02 | <p>ROUND FLANGE: Up lighting, path marker lighting, or recessed lighting applications <i>Includes Round Flange, Light Engine, Optics (15°, 30°, 60°), & Honeycomb Louver</i></p> | <p>VB-02-BR-2700 VB-02-BK-2700 VB-02-NI-2700</p> | <p>VB-02-BR-3000 VB-02-BK-3000 VB-02-NI-3000</p> |
| VB-03 | <p>SQUARE FLANGE: Up lighting, path marker lighting, or recessed lighting applications <i>Includes Square Flange, Light Engine, Optics (15°, 30°, 60°), & Honeycomb Louver</i></p> | <p>VB-03-BR-2700 VB-03-BK-2700 VB-03-NI-2700</p> | <p>VB-03-BR-3000 VB-03-BK-3000 VB-03-NI-3000</p> |
| VB-04 | <p>6" ACRYLIC BUBBLE ROD: Down lighting and ornamental lighting applications <i>Includes 6" Acrylic Bubble Rod, Light Engine, Hanging Loop, & Bamboo/Polypropylene Mounting Stake</i></p> | <p>VB-04-BR-2700 VB-04-BK-2700 VB-04-NI-2700</p> | <p>VB-04-BR-3000 VB-04-BK-3000 VB-04-NI-3000</p> |
| VB-05 | <p>12" ACRYLIC BUBBLE ROD: Down lighting and ornamental lighting applications <i>Includes 12" Acrylic Bubble Rod, Light Engine, Hanging Loop, & Bamboo/Polypropylene Mounting Stake</i></p> | <p>VB-05-BR-2700 VB-05-BK-2700 VB-05-NI-2700</p> | <p>VB-05-BR-3000 VB-05-BK-3000 VB-05-NI-3000</p> |
| VB-06 | <p>PERFORATED SHIELD: Down lighting and accent lighting applications <i>Includes Perforated Shield, Light Engine, Hanging Loop</i></p> | <p>VB-06-BR-2700 VB-06-BK-2700 VB-06-NI-2700</p> | <p>VB-06-BR-3000 VB-06-BK-3000 VB-06-NI-3000</p> |
| VB-07 | <p>ROUND 4 WINDOW: Path marker applications <i>Includes Round 4 Window, Light Engine</i></p> | <p>VB-07-BR-2700 VB-07-BK-2700 VB-07-NI-2700</p> | <p>VB-07-BR-3000 VB-07-BK-3000 VB-07-NI-3000</p> |
| VB-08 | <p>SQUARE 4 WINDOW: Path marker applications <i>Includes Square 4 Window, Light Engine</i></p> | <p>VB-08-BR-2700 VB-08-BK-2700 VB-08-NI-2700</p> | <p>VB-08-BR-3000 VB-08-BK-3000 VB-08-NI-3000</p> |
| VB-09 | <p>ROUND EYEBROW: Path marker lighting and hardscape accent lighting applications <i>Includes Round Eyebrow, Light Engine</i></p> | <p>VB-09-BR-2700 VB-09-BK-2700 VB-09-NI-2700</p> | <p>VB-09-BR-3000 VB-09-BK-3000 VB-09-NI-3000</p> |
| VB-10 | <p>SQUARE EYEBROW: Path marker lighting and hardscape accent lighting applications <i>Includes Round Eyebrow, Light Engine</i></p> | <p>VB-10-BR-2700 VB-10-BK-2700 VB-10-NI-2700</p> | <p>VB-10-BR-3000 VB-10-BK-3000 VB-10-NI-3000</p> |
| VB-11 | <p>KNUCKLE, SHIELD, AND CAP: Directional lighting, up lighting, or down lighting if used with a standard mount <i>Includes Knuckle, Shield, Cap, Light Engine, Optics (15°, 30°, 60°), & Honeycomb Louver, & Bamboo/Polypropylene Mounting Stake</i></p> | <p>VB-11-BR-2700 VB-11-BK-2700 VB-11-NI-2700</p> | <p>VB-11-BR-3000 VB-11-BK-3000 VB-11-NI-3000</p> |



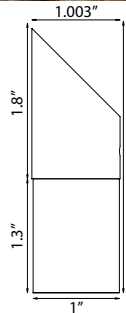
VERSA BEAM SOIL APPLICATIONS



VB-01 | Cap

Includes Cap, Light Engine, Optics (15°, 30°, 60°), Honeycomb Louver, & Bamboo/Polypropylene Mounting Stake

| | 2700K | 3000K |
|--------------------|---------------|---------------|
| Brass | VB-01-BR-2700 | VB-01-BR-3000 |
| Black Brass | VB-01-BK-2700 | VB-01-BK-3000 |
| Nickel | VB-01-NI-2700 | VB-01-NI-3000 |

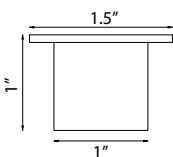


VB-11 | Knuckle, Shield, Cap

Includes Knuckle, Shield, Cap, Light Engine, Optics (15°, 30°, 60°), Honeycomb Louver, & Bamboo/Polypropylene Mounting Stake

| | 2700K | 3000K |
|--------------------|---------------|---------------|
| Brass | VB-11-BR-2700 | VB-11-BR-3000 |
| Black Brass | VB-11-BK-2700 | VB-11-BK-3000 |
| Nickel | VB-11-NI-2700 | VB-11-NI-3000 |

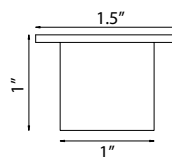
VERSA BEAM FLANGE + OPTIC APPLICATIONS



VB-02 | Round Flange

Includes Round Flange, Light Engine, Optics (15°, 30°, 60°), & Honeycomb Louver

| | 2700K | 3000K |
|--------------------|---------------|---------------|
| Brass | VB-02-BR-2700 | VB-02-BR-3000 |
| Black Brass | VB-02-BK-2700 | VB-02-BK-3000 |
| Nickel | VB-02-NI-2700 | VB-02-NI-3000 |

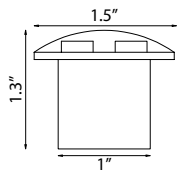


VB-03 | Square Flange

Includes Square Flange, Light Engine, Optics (15°, 30°, 60°), & Honeycomb Louver

| | 2700K | 3000K |
|--------------------|---------------|---------------|
| Brass | VB-03-BR-2700 | VB-03-BR-3000 |
| Black Brass | VB-03-BK-2700 | VB-03-BK-3000 |
| Nickel | VB-03-NI-2700 | VB-03-NI-3000 |

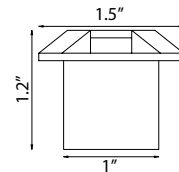
VERSA BEAM FLANGE APPLICATIONS



VB-07 | Round 4 Window

Includes Round 4 Window, Light Engine

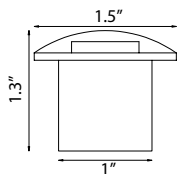
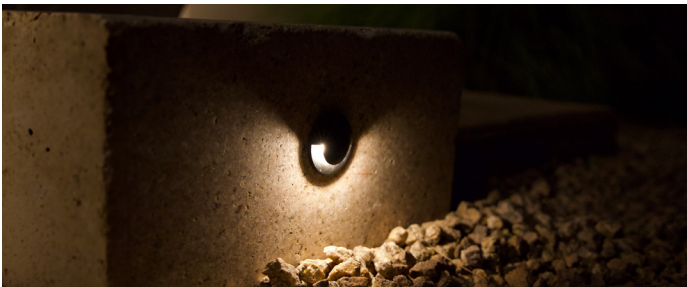
| | 2700K | 3000K |
|--------------------|---------------|---------------|
| Brass | VB-07-BR-2700 | VB-07-BR-3000 |
| Black Brass | VB-07-BK-2700 | VB-07-BK-3000 |
| Nickel | VB-07-NI-2700 | VB-07-NI-3000 |



VB-08 | Square 4 Window

Includes Square 4 Window, Light Engine

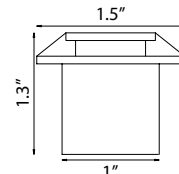
| | 2700K | 3000K |
|--------------------|---------------|---------------|
| Brass | VB-08-BR-2700 | VB-08-BR-3000 |
| Black Brass | VB-08-BK-2700 | VB-08-BK-3000 |
| Nickel | VB-08-NI-2700 | VB-08-NI-3000 |



VB-09 | Round Eyebrow

Includes Round Eyebrow, Light Engine

| | 2700K | 3000K |
|--------------------|---------------|---------------|
| Brass | VB-09-BR-2700 | VB-09-BR-3000 |
| Black Brass | VB-09-BK-2700 | VB-09-BK-3000 |
| Nickel | VB-09-NI-2700 | VB-09-NI-3000 |

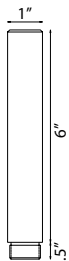


VB-10 | Square Eyebrow

Includes Square Eyebrow, Light Engine

| | 2700K | 3000K |
|--------------------|---------------|---------------|
| Brass | VB-10-BR-2700 | VB-10-BR-3000 |
| Black Brass | VB-10-BK-2700 | VB-10-BK-3000 |
| Nickel | VB-10-NI-2700 | VB-10-NI-3000 |

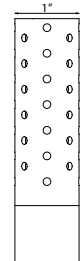
VERSA BEAM HANGING APPLICATIONS



VB-04 | 6" Acrylic Bubble Rod

Includes 6" Acrylic Bubble Rod, Light Engine, Hanging Loop, & Bamboo/Polypropylene Mounting Stake

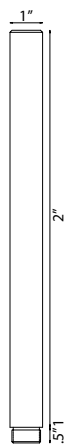
| | 2700K | 3000K |
|--------------------|---------------|---------------|
| Brass | VB-04-BR-2700 | VB-04-BR-3000 |
| Black Brass | VB-04-BK-2700 | VB-04-BK-3000 |
| Nickel | VB-04-NI-2700 | VB-04-NI-3000 |



VB-06 | Perforated Shield

Includes Perforated Shield, Light Engine, & Hanging Loop

| | 2700K | 3000K |
|--------------------|---------------|---------------|
| Brass | VB-06-BR-2700 | VB-06-BR-3000 |
| Black Brass | VB-06-BK-2700 | VB-06-BK-3000 |
| Nickel | VB-06-NI-2700 | VB-06-NI-3000 |



VB-05 | 12" Acrylic Bubble Rod

Includes 12" Acrylic Bubble Rod, Light Engine, Hanging Loop, & Bamboo/Polypropylene Mounting Stake

| | 2700K | 3000K |
|--------------------|---------------|---------------|
| Brass | VB-05-BR-2700 | VB-05-BR-3000 |
| Black Brass | VB-05-BK-2700 | VB-05-BK-3000 |
| Nickel | VB-05-NI-2700 | VB-05-NI-3000 |

BLACK DIAMOND DIRECTIONAL LIGHT

DESCRIPTION

The Black Diamond Directional Light is available without a lamp or with an MR16 Ecostar lamp and is ready to install right out of the box. It includes a glass convex lens to prevent water build up. The solid brass construction features a black (BK) or bronze (BZ) baked enamel finish, and the design includes two O-rings to mitigate water and condensation intrusion. The directional light features an adjustment system, which allows for 25 points of articulation of the knuckle. A set screw secures the fixture's cap so it does not come off when pointed down, and the knob makes it easy to find and adjust in low light.

BLACK DIAMOND DIRECTIONAL LIGHT

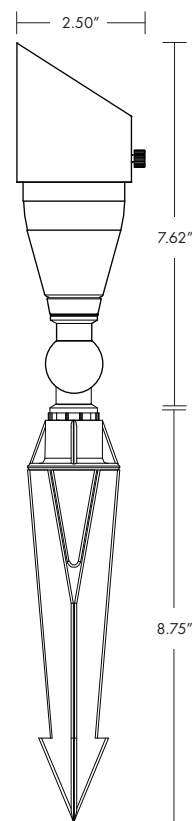
| | | |
|---------------------------|---|--|
| Use | Uplighting, Grazing, Backlighting, and Wall Washing (When Used with 120 Degree Lamps Only) | |
| Finish | Black or Bronze | |
| Includes | Glass Convex Lens and Mounting Stake | |
| Warranty | 10 Year Warranty on Black Diamond Fixtures | |
| Order With Lamp | MR16 Ecostar, 4W, 2700K, 30° | BD-DL-ECO-MR16-BK BD-DL-ECO-MR16-BZ |
| | MR16 Ecostar, 4W, 3000K, 30° | BD-DL-ECO-MR16-BK-3000 BD-DL-ECO-MR16-BZ-3000 |
| Order Without Lamp | Fits MR16 | BD-DL-ECO-MR16-BK-NL BD-DL-ECO-MR16-BZ-NL |



Black Brass
Baked Enamel (BK)



Bronze Baked
Enamel (BZ)



BLACK DIAMOND MODERN PATH LIGHT

DESCRIPTION

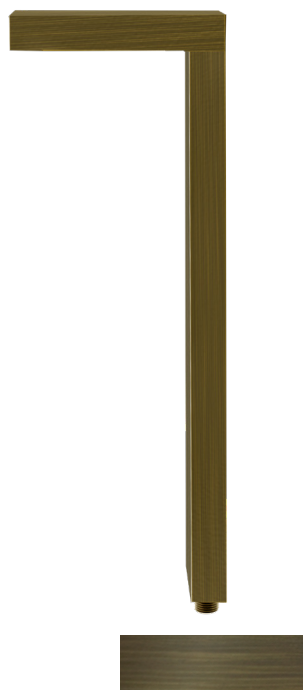
The Black Diamond Modern Path Light is available without a lamp or with a G4 Wafer lamp (3W 2700K 120° beam spread 300 Lumens) to be installed. Simply install the lamp and screw on the glass lens. This modern fixture is a downward facing path light perfect for path, area, and garden accent lighting. The solid brass construction features a black or bronze (BZ) baked enamel finish.

BLACK DIAMOND MODERN PATH LIGHT

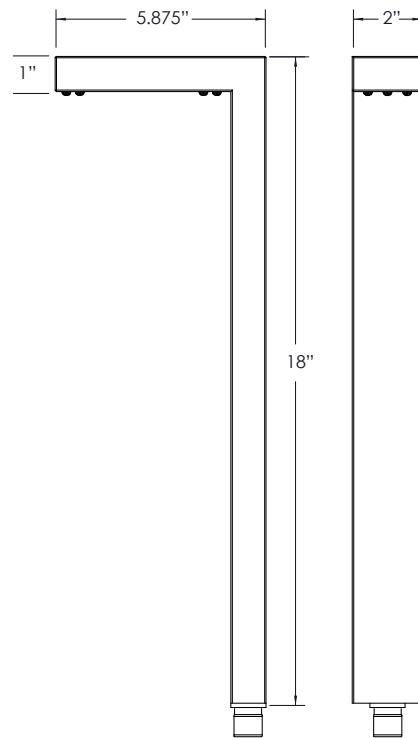
| | | |
|---------------------------|---|--|
| Use | Path, Area, and Garden Accent Lighting | |
| Finish | Black or Bronze | |
| Includes | ABS Mounting Stake | |
| Warranty | 10 Year Warranty on Black Diamond Fixtures | |
| Order With Lamp | G4 Wafer, 3W, 2700K | BD-MPL-G4-WAFER-BK BD-MPL-G4-WAFER-BZ |
| | G4 Wafer, 3W, 3000K | BD-MPL-G4-WAFER-BK-3000 BD-MPL-G4-WAFER-BZ-3000 |
| Order Without Lamp | Fits G4 Bi-Pin | BD-MPL-G4-WAFER-BK-NL BD-MPL-G4-WAFER-BZ-NL |



Black Brass
Baked Enamel



Bronze Baked
Enamel (BZ)



BLACK DIAMOND PATH LIGHT

DESCRIPTION

The Black Diamond Path Light is available without a lamp or with a G4 Ecostar lamp to be installed. Simply install the lamp and screw on the Black Diamond Path Light top. The threaded top design allows the top to stay straight on the fixture, and also includes a white reflective surface underneath. The solid brass construction features a baked enamel finish in black (BK) or bronze (BZ). Overall height is 18.25”.

BLACK DIAMOND PATH LIGHT

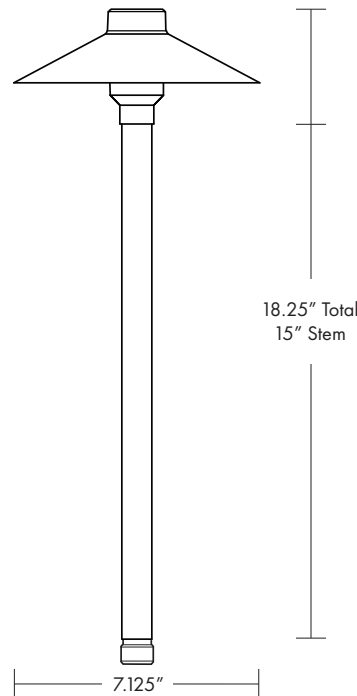
| | | |
|---------------------------|---|--|
| Use | Path, Area, and Garden Accent Lighting | |
| Finish | Black or Bronze | |
| Includes | ABS Mounting Stake | |
| Warranty | 10 Year Warranty on Black Diamond Fixtures | |
| Order With Lamp | G4 Ecostar, 3W, 2700K | BD-PL-ECO-G4-BK BD-PL-ECO-G4-BZ |
| | G4 Ecostar, 3W, 3000K | BD-PL-ECO-G4-BK-3000 BD-PL-ECO-G4-BZ-3000 |
| Order Without Lamp | Fits G4 Bi-Pin | BD-PL-ECO-G4-BK-NL BD-PL-ECO-G4-BZ-NL |



Black Brass
Baked Enamel (BK)



Bronze Baked
Enamel (BZ)



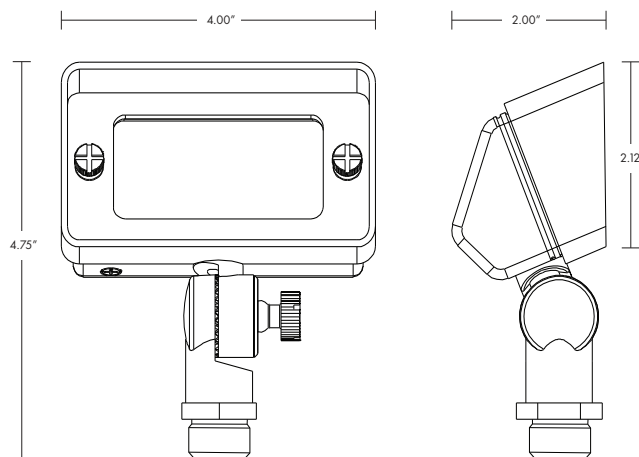
BLACK DIAMOND WALL WASH

DESCRIPTION

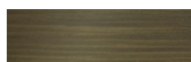
The Black Diamond Wall Wash is available without a lamp or with a G4 Rectangular Wafer and is ready to install right out of the box with a frosted glass lens. There are three glass lenses from which to choose for the desired effect. The frosted and glass lenses offer a 98° horizontal beam spread and the prism lens expands the horizontal beam spread to 114°. The solid brass construction features a baked enamel finish in black (BK) or bronze (BZ). The Black Diamond Wall Wash features an adjustment system which allows for 18 points of articulation of the knuckle.

BLACK DIAMOND WALL WASH

| | | |
|---------------------------|---|--|
| Use | Uplighting, Grazing, and Backlighting Techniques. Best for Low Level Wall Wash | |
| Finish | Black or Bronze | |
| Includes | Frosted Glass Lens, Clear Glass Lens, Prism Glass Lens, and ABS Mounting Stake | |
| Warranty | 10 Year Warranty on Black Diamond Fixtures | |
| Order With Lamp | G4 Rect. Wafer, 3W, 2700K | BD-WW-G4-WAFER-BK BD-WW-G4-WAFER-BZ |
| | G4 Rect. Wafer, 3W, 3000K | BD-WW-G4-WAFER-BK-3000 BD-WW-G4-WAFER-BZ-3000 |
| Order Without Lamp | Fits G4 Bi-Pin | BD-WW-G4-WAFER-BK-NL BD-WW-G4-WAFER-BZ-NL |



Black Brass
Baked Enamel (BK)



Bronze Baked
Enamel (BZ)

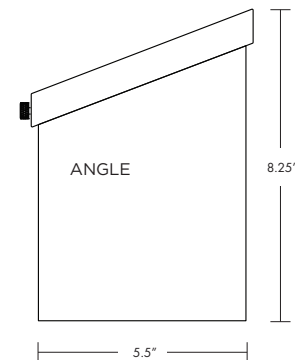
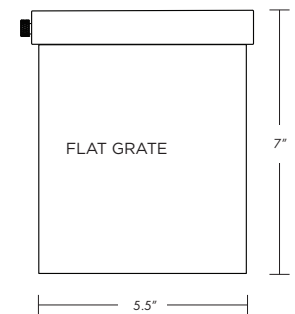
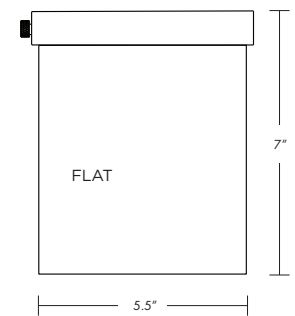
BLACK DIAMOND PAR36 WELL LIGHT

DESCRIPTION

The Black Diamond PAR36 Well Light comes in three glass top variations: flat, flat grate, or angled. All glass tops come in solid brass black or bronze (BZ) baked enamel finish. It is available without a lamp or with a PAR36 (7W 2700K 30° 675 Lumens). This well light is fitted for any of our PAR36 lamps and really comes to life with the Chameleon PAR36 for RGBW applications.

BLACK DIAMOND PAR36 WELL LIGHT

| | | |
|---------------------------|---|---|
| Use | Well Lighting & Underground Up Lighting | |
| Finish | Top: Black or Bronze Body: Composite | |
| Includes | Heavy-Duty Stainless Steel Adjustable Gimbal | |
| Warranty | 10 Year Warranty on Black Diamond Fixtures | |
| Order With Lamp | PAR36, 7W, 2700K, 30° | BD-WL-PAR36-FLAT-BK BD-WL-PAR36-ANGLE-BK BD-WL-PAR36-FLAT-GR BD-WL-PAR36-FLAT-BZ BD-WL-PAR36-ANGLE-BZ BD-WL-PAR36-FLAT-GR-BZ |
| Order Without Lamp | Fits Chameleon PAR36, PAR36 | BD-WL-PAR36-FLAT-BK-NL BD-WL-PAR36-ANGLE-BK-NL BD-WL-PAR36-FLAT-GR-NL BD-WL-PAR36-FLAT-BZ-NL BD-WL-PAR36-ANGLE-BZ-NL BD-WL-PAR36-FLAT-GR-BZ-NL |



Black Brass
Baked Enamel (BK)



Bronze Baked
Enamel (BZ)

BLACK DIAMOND MR16 WELL LIGHT

DESCRIPTION

The Black Diamond MR16 Well Light comes in two top variations: flat glass or grate. Both the flat glass and grate tops come in solid brass black or bronze (BZ) finish. It is available without a lamp or with an MR16 Ecostar (4W 2700K 30° 350 Lumens). This well light is fitted for any of our MR16 lamps and really comes to life with the Chameleon MR16 for RGBW applications.

BLACK DIAMOND MR16 WELL LIGHT

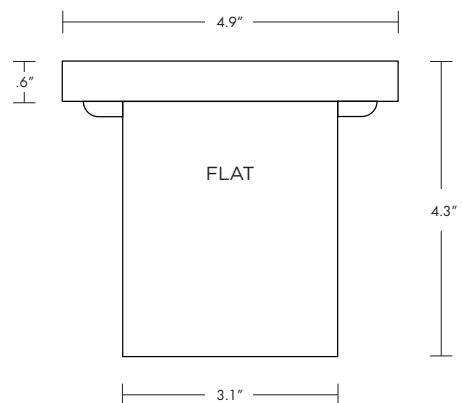
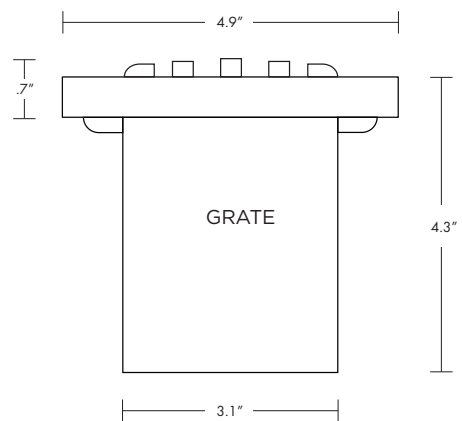
| | | |
|---------------------------|---|--|
| Use | Well Lighting & Underground Up Lighting | |
| Finish | Top: Black or Bronze Body: Composite | |
| Warranty | 10 Year Warranty on Black Diamond Fixtures | |
| Order With Lamp | MR16 Ecostar, 4W, 2700K, 30° | BD-WL-MR16-FLAT-BK BD-WL-MR16-GRATE-BK BD-WL-MR16-FLAT-BZ BD-WL-MR16-GRATE-BZ |
| Order Without Lamp | Fits Chameleon MR16, MR16 | BD-WL-MR16-FLAT-BK-NL BD-WL-MR16-GRATE-BK-NL BD-WL-MR16-FLAT-BZ-NL BD-WL-MR16-GRATE-BZ-NL |



Black Brass
Baked Enamel (BK)



Bronze Baked
Enamel (BZ)



BLACK DIAMOND STARTER LIGHTING SYSTEM

DESCRIPTION

Jumpstart your outdoor lighting projects with the Black Diamond Starter Lighting System. This complete landscape lighting system equips you with everything you need to illuminate landscapes with elegance and efficiency. ALL IN ONE BOX!

AVAILABLE IN 3000K OR 2700K!

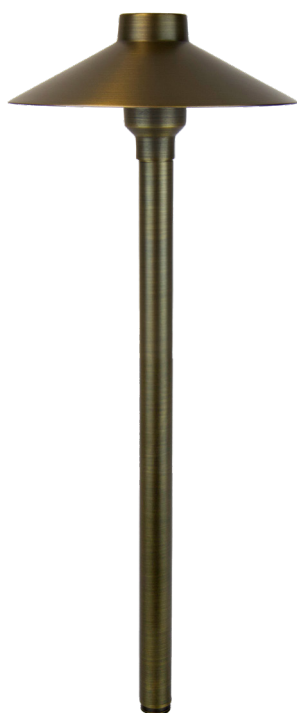
BLACK OR BRONZE AVAILABLE! THE KIT INCLUDES:

- 5 Black Diamond Pathlights with lamp (*Bronze or Black, 3000K or 2700K*)
- 5 Black Diamond Directional Lights with lamp (*Bronze or Black, 3000K or 2700K*)
- 1 150watt transformer
- 1 Smart Socket 3.0
- 12 Lighting Shrinks
- 10 Ground Stakes

For specifications on the products included in the Starter Lighting System, please view their individual Cut Sheets.

BD SLS-BLACK-3000-150
BD SLS-BRONZE-3000-150

BD SLS-BLACK-2700-150
BD SLS-BRONZE-2700-150



ACADIA

Directional Light for MR11 or G4 Chameleon



DESCRIPTION

The Acadia Directional Light works with MR11 lamps or G4 Chameleon lamps when used with the supplied adapter ring. It features an adjustable glare shield and the Brilliance Metal Works signature adjustment system, which allows for 22 points of articulation of the knuckle in 10 degree increments. For loose soil applications, pair the Acadia with the Impaler accessory.

ACADIA DIRECTIONAL LIGHT

| | | |
|---------------------------|--|--|
| Use | Uplighting, Grazing, Backlighting, and Wall Washing (When Used with 120° Lamps Only) | |
| Finish | Brass, Copper, or Brass w/ Black Cerakote® | |
| Includes | ABS Mounting Stake, Lighting Shrink Professional Crimp and Heat Shrink Cable Connector, G4 Adapter Ring | |
| Warranty | Lifetime Warranty on National Parks Series Fixtures | |
| Order With Lamp | MR11, 2W, 2700K, 30° | ACADIA-CU ACADIA-BR ACADIA-BK |
| Order Without Lamp | Fits Chameleon G4, MR11 | ACADIA-CU-NL ACADIA-BR-NL ACADIA-BK-NL |



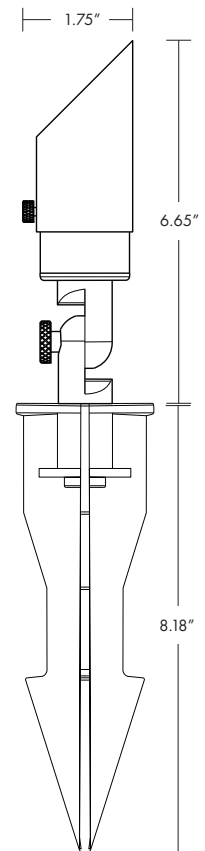
Brass (BR)



Copper (CU)



Brass + Black Cerakote®
(BK)



DENALI

MR16 Directional Light



DESCRIPTION

The Denali Directional Light works with MR16 lamps or Chameleon MR16 lamps for RGBW applications. It features the Brilliance Metal Works signature adjustment system, which allows for 22 points of articulation of the knuckle in 10 degree increments. For loose soil applications, pair the Denali with the Impaler accessory.

DENALI DIRECTIONAL LIGHT

| | | |
|---------------------------|---|--|
| Use | Uplighting, Grazing, Backlighting, and Wall Washing (When Used with 120° Lamps Only) | |
| Finish | Brass, Copper, or Brass w/ Black Cerakote® | |
| Includes | ABS Mounting Stake, Lighting Shrink Professional Crimp and Heat Shrink Cable Connector, Honeycomb Louver | |
| Warranty | Lifetime Warranty on National Parks Series Fixtures | |
| Order With Lamp | MR16, 4W, 2700K, 30° | DENALI-BK DENALI-BR DENALI-CU |
| Order Without Lamp | Fits Chameleon MR16, MR16 | DENALI-BK-NL DENALI-BR-NL DENALI-CU-NL |



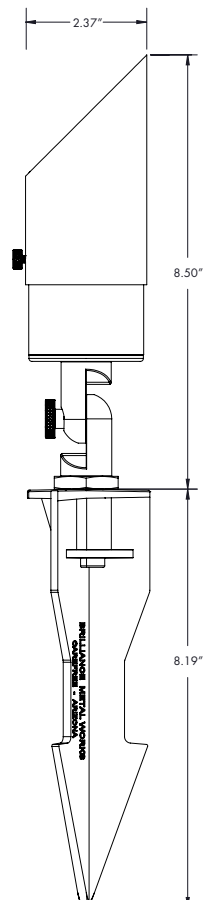
Brass (BR)



Copper (CU)



Brass + Black Cerakote®
(BK)



GRAND CANYON

PAR36 Directional Light



DESCRIPTION

The Grand Canyon Directional Light works with PAR36 lamps or PAR36 Chameleon lamps. It features the Brilliance Metal Works signature adjustment system, which allows for 22 points of articulation of the knuckle in 10 degree increments. For loose soil applications, pair the Grand Canyon with the Impaler accessory.

GRAND CANYON DIRECTIONAL LIGHT

| | | |
|---------------------------|---|--|
| Use | Uplighting, Grazing, Backlighting, and Wall Washing (When Used with 120° Lamps Only) | |
| Finish | Brass, Copper, or Brass w/ Black Cerakote® | |
| Includes | ABS Mounting Stake, Lighting Shrink Professional Crimp and Heat Shrink Cable Connector | |
| Warranty | Lifetime Warranty on National Parks Series Fixtures | |
| Order With Lamp | PAR36, 7W, 2700K, 30° | GRAND-CANYON-BK GRAND-CANYON-BR GRAND-CANYON-CU |
| Order Without Lamp | Fits Chameleon PAR36, PAR36 | GRAND-CANYON-BK-NL GRAND-CANYON-BR-NL GRAND-CANYON-CU-NL |



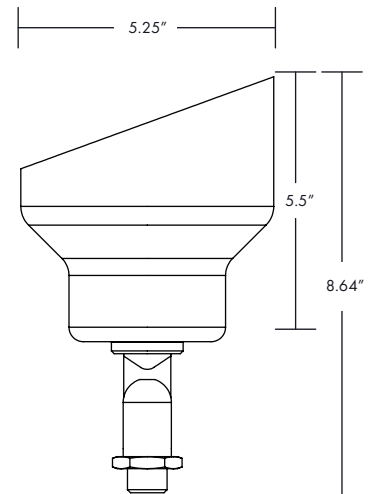
Brass (BR)



Copper (CU)



Brass + Black Cerakote®
(BK)



ARCHES

MR16 Directional Down Light



DESCRIPTION

The Arches Directional Down Light works with MR16 lamps or MR16 Chameleon lamps. It features an adjustable glare shield and the Brilliance Metal Works signature adjustment system, which allows for 22 points of articulation of the knuckle in 10 degree increments. For an alternative mounting option, pair the Arches with the Tree Mount optional accessory. When using in a tree, consult with an arborist for the best way to mount for the particular tree species.

ARCHES DIRECTIONAL DOWN LIGHT

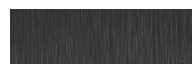
| | | |
|---------------------------|--|--|
| Use | Surface-Mounted Uplighting and Downlighting | |
| Finish | Brass, Copper, or Brass w/ Black Cerakote® | |
| Includes | Lighting Shrink Professional Crimp and Heat Shrink Cable Connector, Honeycomb Louver, Stainless Steel Mounting Canopy | |
| Warranty | Lifetime Warranty on National Parks Series Fixtures | |
| Order With Lamp | MR16, 4W, 2700K, 30° | ARCHES-CU ARCHES-BR ARCHES-BK |
| Order Without Lamp | Fits Chameleon MR16, MR16 | ARCHES-CU-NL ARCHES-BR-NL ARCHES-BK-NL |



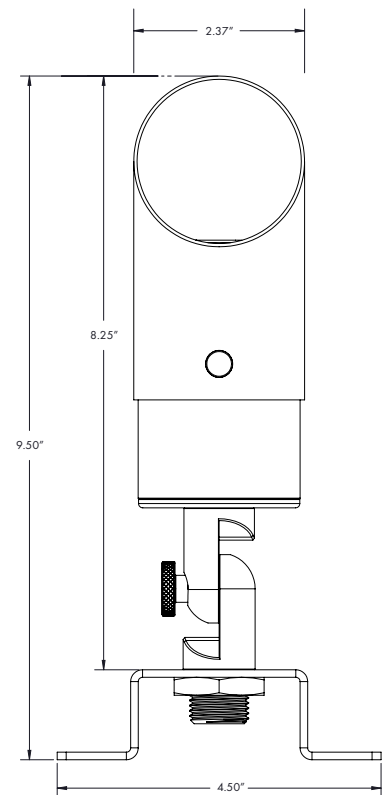
Brass (BR)



Copper (CU)



Brass + Black Cerakote®
(BK)



GLACIER


MR16 Hanging Down Light

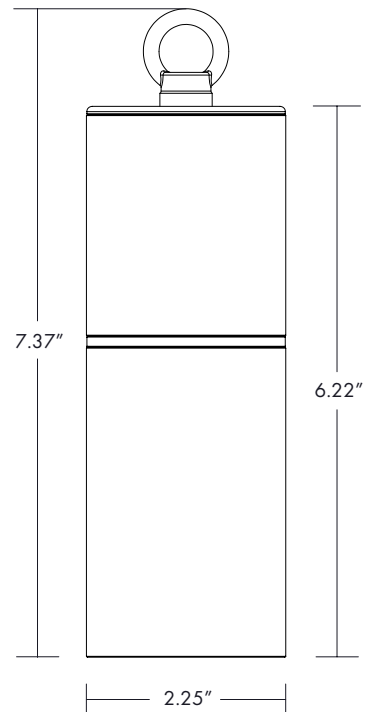


DESCRIPTION

The Glacier Hanging Down Light works with MR16 lamps or MR16 Chameleon lamps. It features a frosted shade perfect for projecting soft RGBW light.

GLACIER HANGING DOWN LIGHT

| | | |
|---------------------------|--|---|
| Use | Downlighting Techniques in Trees or Architecture by Hanging on a Chain or Cable | |
| Finish | Brass, Copper, or Brass w/ Black Cerakote® | |
| Includes | Lighting Shrink Professional Crimp and Heat Shrink Cable Connector | |
| Warranty | Lifetime Warranty on National Parks Series Fixtures | |
| Order With Lamp | Chameleon MR16  | GLACIER-BK GLACIER-BR GLACIER-CU |
| Order Without Lamp | Fits Chameleon MR16, MR16 | GLACIER-BK-NL GLACIER-BR-NL GLACIER-CU-NL |



Brass (BR)



Copper (CU)



Brass + Black Cerakote® (BK)

GLACIER PERFORATED


MR16 Hanging Down Light



DESCRIPTION

Based on our original Glacier Hanging Down Light, the Glacier Perforated Hanging Down Light offers a modern, elegant look. The precision machined perforations soften lighting, making it easy on the eyes while creating ambiance.

GLACIER PERFORATED HANGING DOWN LIGHT

| | | |
|---------------------------|--|--|
| Use | Downlighting Techniques in Trees or Architecture by Hanging on a Chain or Cable | |
| Finish | Brass, Copper, or Brass w/ Black Cerakote® | |
| Includes | Lighting Shrink Professional Crimp and Heat Shrink Cable Connector | |
| Warranty | Lifetime Warranty on National Parks Series Fixtures | |
| Order With Lamp | Chameleon MR16  GLACIER-BK-PERF GLACIER-BR-PERF GLACIER-CU-PERF | |
| Order Without Lamp | Fits Chameleon MR16, MR16 GLACIER-BK-PERF-NL GLACIER-BR-PERF-NL GLACIER-CU-PERF-NL | |



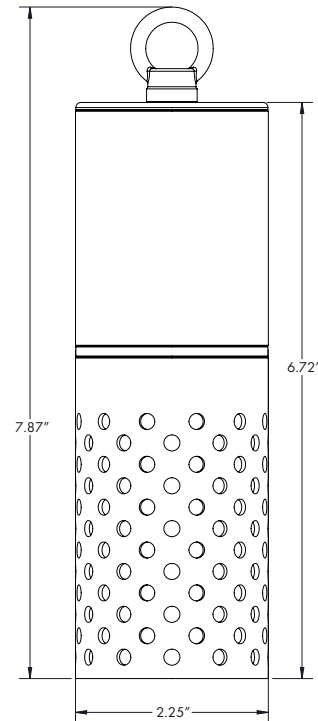
Brass (BR)



Copper (CU)



Brass + Black Cerakote®
(BK)



BRYCE

Hanging Down Light for AR11, MR16, or G4 Blaze



DESCRIPTION

The Bryce Hanging Down Light works with AR11, MR16 and MR16 Chameleon lamps, or G4 Blaze lamps with the Frosted Acrylic version.

BRYCE HANGING DOWN LIGHT

| | | |
|---------------------------|--|--|
| Use | Downlighting Techniques in Trees or Architecture by Hanging on a Chain or Cable | |
| Finish | Brass, Copper, Brass w/ Black Cerakote®, or Frosted | |
| Includes | Lighting Shrink Professional Crimp and Heat Shrink Cable Connector | |
| Warranty | Lifetime Warranty on National Parks Series Fixtures | |
| Order With Lamp | AR11, 2W, 2700K, 60° | BRYCE-AR11-BR BRYCE-AR11-BK BRYCE-AR11-CU |
| | MR16, 4W, 2700K, 60° | BRYCE-MR16-BR BRYCE-MR16-BK BRYCE-MR16-CU |
| | G4 Blaze | BRYCE-G4-FROST |
| Order Without Lamp | Fits AR11 | BRYCE-AR11-BR-NL BRYCE-AR11-BK-NL BRYCE-AR11-CU-NL |
| | Fits Chameleon MR16, MR16 | BRYCE-MR16-BR-NL BRYCE-MR16-BK-NL BRYCE-MR16-CU-NL |
| | Fits G4 Blaze | BRYCE-G4-FROST-NL |

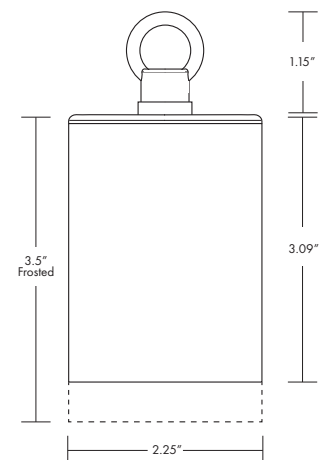


Brass (BR)

Copper (CU)

Brass + Black Cerakote® (BK)

Frosted Acrylic (FROST)



BRYCE PERFORATED

Hanging Down Light for AR11 or MR16



DESCRIPTION

In a longer footprint than the original Bryce Hanging Down Light, the Bryce Perforated Hanging Down Light keeps the same one-piece construction and adds ambiance with its precision machined perforations.

BRYCE PERFORATED HANGING DOWN LIGHT

| | | |
|---------------------------|--|---|
| Use | Downlighting Techniques in Trees or Architecture by Hanging on a Chain or Cable | |
| Finish | Brass, Copper, or Brass w/ Black Cerakote® | |
| Includes | Lighting Shrink Professional Crimp and Heat Shrink Cable Connector | |
| Warranty | Lifetime Warranty on National Parks Series Fixtures | |
| Order With Lamp | AR11, 2W, 2700K, 60° | BRYCE-AR11-BK-PERF BRYCE-AR11-BR-PERF BRYCE-AR11-CU-PERF |
| | MR16, 4W, 2700K, 60° | BRYCE-MR16-BK-PERF BRYCE-MR16-BR-PERF BRYCE-MR16-CU-PERF |
| Order Without Lamp | Fits AR11 | BRYCE-AR11-BK-PERF-NL BRYCE-AR11-BR-PERF-NL BRYCE-AR11-CU-PERF-NL |
| | Fits Chameleon MR16, MR16 | BRYCE-MR16-BK-PERF-NL BRYCE-MR16-BR-PERF-NL BRYCE-MR16-CU-PERF-NL |



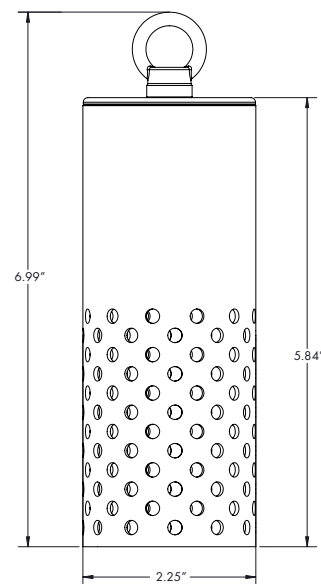
Brass (BR)



Copper (CU)



Brass + Black Cerakote®
(BK)



PINNACLES

G4 Soft Accent Light



DESCRIPTION

The Pinnacles Soft Accent Light works with G4 Rectangular Wafer LEDs. It features a frosted glass lens, as well as the Brilliance Metal Works signature adjustment system, which allows for 22 points of articulation of the knuckle in 10 degree increments.

PINNACLES SOFT ACCENT LIGHT

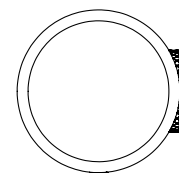
| | | |
|---------------------------|---|----------------------------------|
| Use | Uplighting, Grazing, and Backlighting Techniques Best Used When Low Level Wall Wash Techniques are Desired | |
| Finish | Brass or Brass w/ Black Cerakote® | |
| Includes | ABS Mounting Stake, Lighting Shrink Professional Crimp, and Heat Shrink Cable Connector | |
| Warranty | Lifetime Warranty on National Parks Series Fixtures | |
| Order With Lamp | G4 Rectangular Wafer, 3W, 2700K | PINNACLE-BK PINNACLE-BR |
| Order Without Lamp | Fits G4 Bi-Pin | PINNACLE-BK-NL PINNACLE-BR-NL |



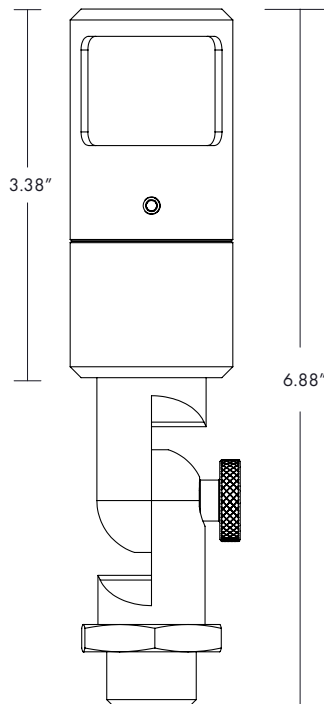
Brass (BR)



Brass + Black Cerakote®
(BK)



1.5"



EVERGLADES

G4 Bi-Pin Area Light

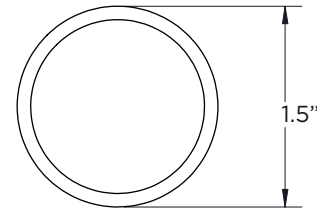


DESCRIPTION

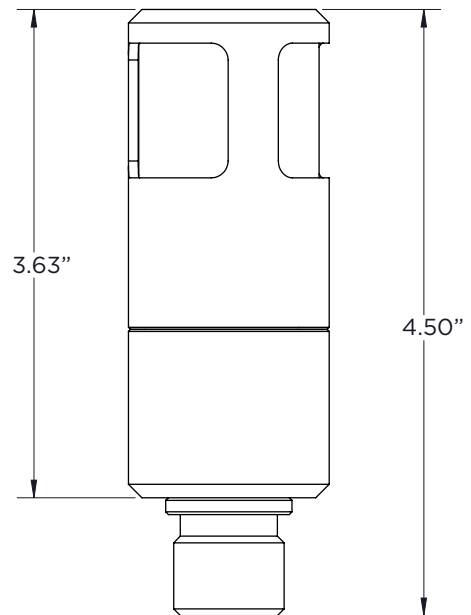
The Everglades is an area light that serves as a low-profile indicator. Pair with the optional Deck Mount accessory as a base for flat surfaces like boating docks and deck applications.

EVERGLADES AREA LIGHT

| | | |
|---------------------------|--|--------------------------------------|
| Use | Pathways & Walkways Dock & Deck Applications | |
| Finish | Brass or Brass w/ Black Cerakote® | |
| Includes | ABS Mounting Stake, Lighting Shrink Professional Crimp, and Heat Shrink Cable Connector | |
| Warranty | Lifetime Warranty on National Parks Series Fixtures | |
| Order With Lamp | Micro G4 Bi-Pin in Amber | EVERGLADES-BK EVERGLADES-BR |
| Order Without Lamp | Fits G4 Bi-Pin | EVERGLADES-BK-NL EVERGLADES-BR-NL |



Everglades shown with Deck Mount accessory



Brass (BR)



Brass + Black Cerakote® (BK)

GUADALUPE

Wall Light

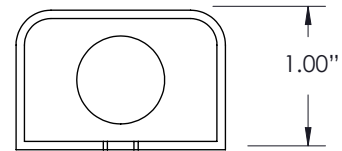


DESCRIPTION

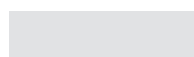
The Guadalupe is an integrated lamp and fixture that casts light from wall-mount applications in outdoor living areas. We recommend using Lighting Shrink connections for the Guadalupe. Dimmable with Brilliance dimmer and most magnetic transformers. ETL Certified for UL 1838 and CSA C22.2 Standards. Patent Pending.

GUADALUPE WALL LIGHT

| | |
|--------------------------------------|---|
| Use | Walls, Fence Posts, Around Pools, and Other Outdoor Living Areas |
| Finish | Brass, White, or Black Brass |
| Includes | 12 ft. Lead, 2 #8 Mounting Screws for Wood or Sheet Metal, Mounting Template |
| Warranty | 5 Year Warranty on Guadalupe Fixtures |
| Integrated Lamp | 2700K, 3.8W, 200 Lumens, 90°, CRI 90, IP65, 8-15VAC, 5 year warranty, 6.03VA, 35,000 hrs |
| | Brass GUADALUPE-2700-BR |
| | Black Brass GUADALUPE-2700-BK |
| | White GUADALUPE-2700-WH |
| | 3000K, 3.8W, 210 Lumens, 90°, CRI 90, IP65, 8-15VAC, 5 year warranty, 6.03VA, 35,000 hrs |
| | Brass GUADALUPE-3000-BR |
| Black Brass GUADALUPE-3000-BK | |
| White GUADALUPE-3000-WH | |



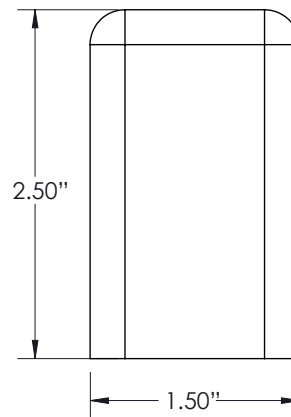
Brass (BR)



White (WH)



Black Brass (BK)



REDWOOD

G4 Path Light

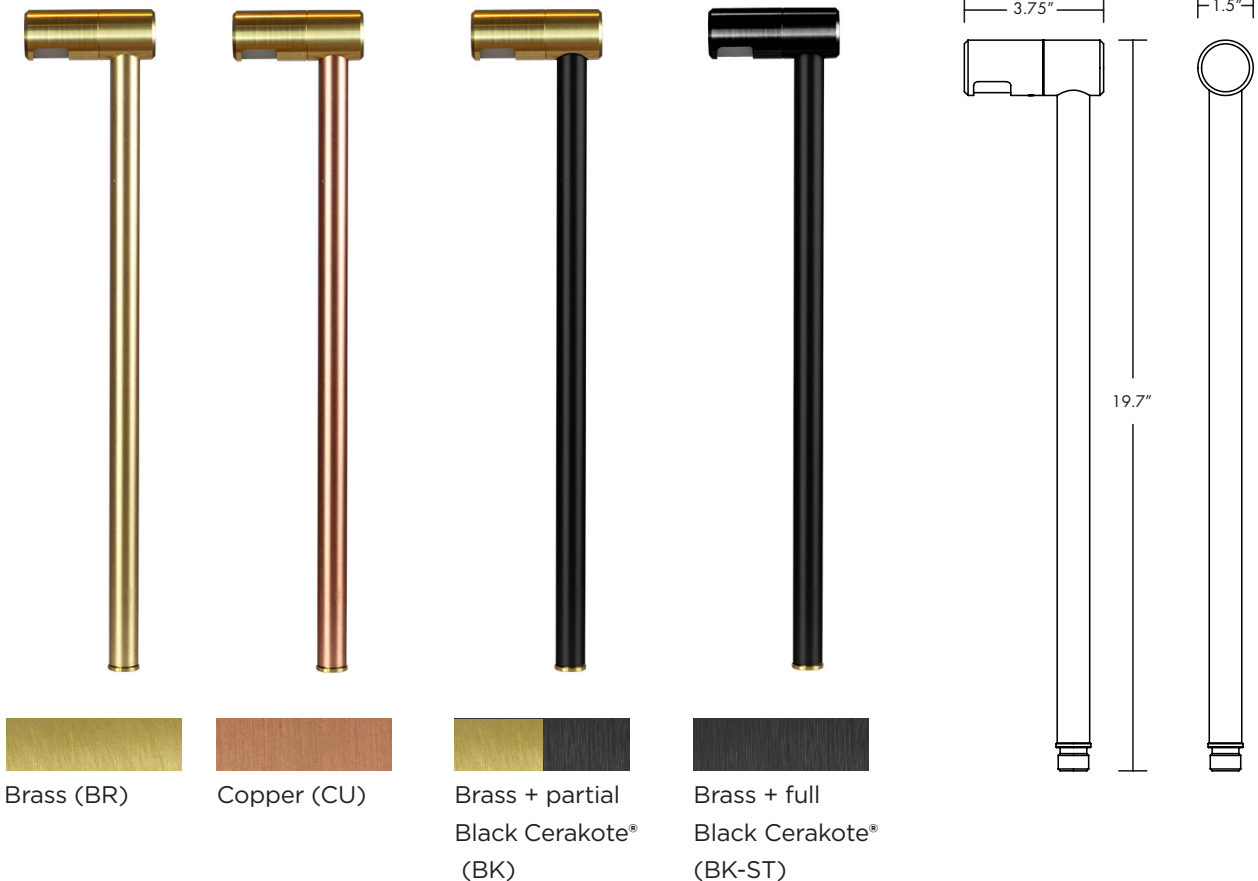


DESCRIPTION

The Redwood Path Light comes complete with a frosted glass window that can rotate 360° and locks in with a set screw.

REDWOOD PATH LIGHT

| | | |
|---------------------------|---|--|
| Use | Path, Area, and Garden Accent Lighting | |
| Finish | Brass, Copper, or Brass w/ Black Cerakote® | |
| Includes | ABS Mounting Stake, Lighting Shrink Professional Crimp, and Heat Shrink Cable Connector | |
| Warranty | Lifetime Warranty on National Parks Series Fixtures | |
| Order With Lamp | G4 Rectangular Wafer, 3W, 2700K | REDWOOD-BK-HD-BK-ST REDWOOD-BR-HD-BK-ST REDWOOD-BR-HD-BR-ST REDWOOD-BR-HD-CU-ST |
| Order Without Lamp | Fits G4 Bi-Pin | REDWOOD-BK-HD-BK-ST-NL REDWOOD-BR-HD-BK-ST-NL REDWOOD-BR-HD-BR-ST-NL REDWOOD-BR-HD-CU-ST-NL |



JOSHUA TREE

G4 Path Light



DESCRIPTION

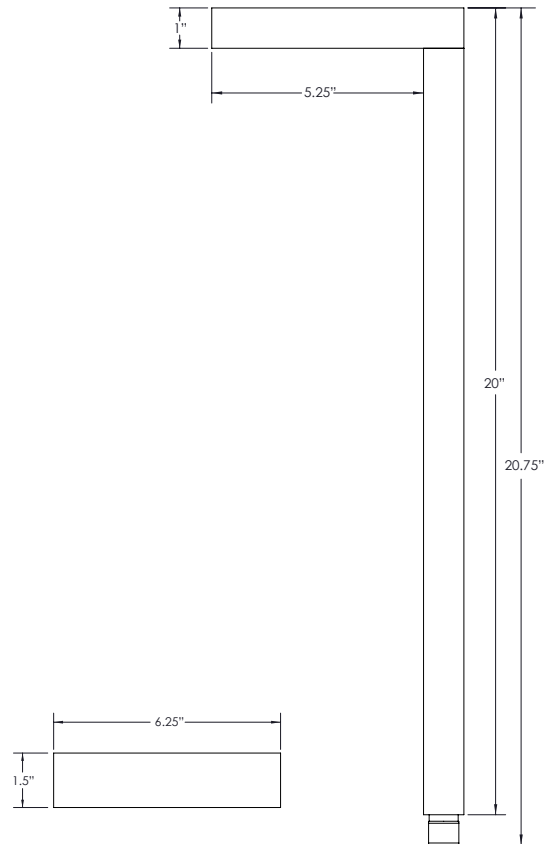
The Joshua Tree Path Light comes complete with one or two G4 Rectangular Wafer sockets. This modern fixture is a downward facing path light perfect for path, area, and garden accent lighting.

JOSHUA TREE PATH LIGHT

| | | | |
|---------------------------|---|-------------------------------------|----------------|
| Use | Path, Area, and Garden Accent Lighting | | |
| Finish | Aluminum w/ Black Cerakote® | | |
| Includes | ABS Mounting Stake, Lighting Shrink Professional Crimp, and Heat Shrink Cable Connector | | |
| Warranty | 10 Year Warranty on Aluminum Fixtures | | |
| Order With Lamp | G4 Rectangular Wafer | 1 socket, 2700K, 270 Lumens | JOSHUA-1-BK |
| | 3W, 2700K | 2 sockets, 2700K, 540 Lumens | JOSHUA-2-BK |
| Order Without Lamp | Fits G4 Bi-Pin | 1 socket | JOSHUA-1-BK-NL |
| | | 2 sockets | JOSHUA-2-BK-NL |



Aluminum + Black Cerakote® (BK)



SEQUOIA

G4 Bi-Pin 7" Path Light



DESCRIPTION

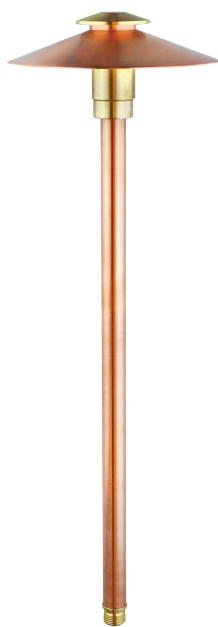
The Sequoia 7" Path Light comes complete with a fully adjustable reflector top. It is available in a standard 22" fixed stem or a 17" to 28" adjustable stem.

SEQUOIA PATH LIGHT

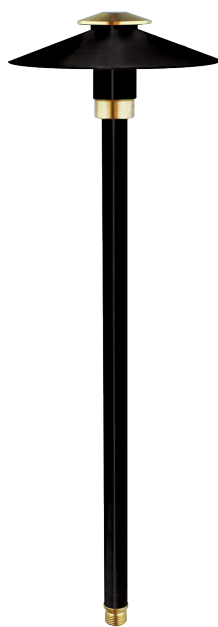
| | | | |
|---------------------------|---|---|--|
| Use | Path, Area, and Garden Accent Lighting | | |
| Finish | Brass, Copper, or Brass w/ Black Cerakote® | | |
| Includes | ABS Mounting Stake, Lighting Shrink Professional Crimp, and Heat Shrink Cable Connector | | |
| Warranty | Lifetime Warranty on National Parks Series Fixtures | | |
| Order With Lamp | Beacon G4 Bi-Pin, 2W, 2700K | FIXED SEQUOIA-BK SEQUOIA-BR SEQUOIA-CU | ADJUSTABLE SEQUOIA-BK-A SEQUOIA-BR-A SEQUOIA-CU-A |
| Order Without Lamp | Fits G4 Bi-Pin | FIXED SEQUOIA-BK-NL SEQUOIA-BR-NL SEQUOIA-CU-NL | ADJUSTABLE SEQUOIA-BK-A-NL SEQUOIA-BR-A-NL SEQUOIA-CU-A-NL |



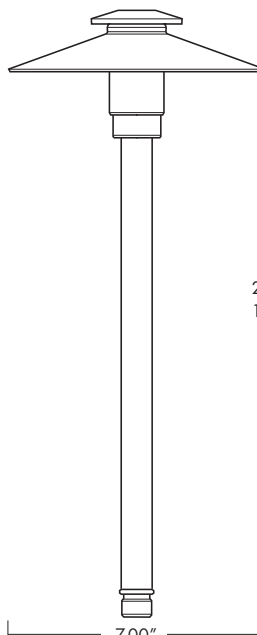
Brass (BR)



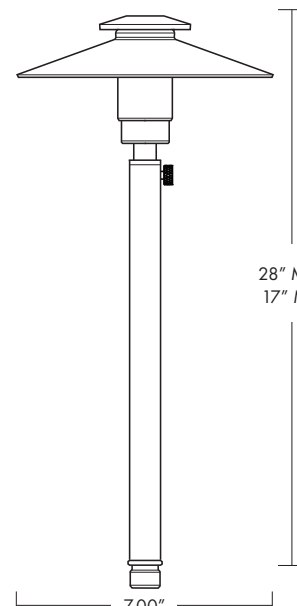
Copper (CU)



Brass + Black Cerakote® (BK)



Fixed Stem Option (F)



Adjustable Stem Option (A)

ZION

G4 Bi-Pin 4" Path Light



DESCRIPTION

The Zion 4" Path Light comes complete with a fully adjustable reflector top. It is available in a standard 22" fixed stem or a 17" to 28" adjustable stem.

ZION PATH LIGHT

| | | | |
|---------------------------|---|--|---|
| Use | Path, Area, and Garden Accent Lighting | | |
| Finish | Brass, Copper, or Brass w/ Black Cerakote® | | |
| Includes | ABS Mounting Stake, Lighting Shrink Professional Crimp, and Heat Shrink Cable Connector | | |
| Warranty | Lifetime Warranty on National Parks Series Fixtures | | |
| Order With Lamp | Beacon G4 Bi-Pin, 2W, 2700K | FIXED ZION-BK ZION-BR ZION-CU | ADJUSTABLE ZION-BK-ADJ ZION-BR-ADJ ZION-CU-ADJ |
| Order Without Lamp | Fits G4 Bi-Pin | FIXED ZION-BK-NL ZION-BR-NL ZION-CU-NL | ADJUSTABLE ZION-BK-ADJ-NL ZION-BR-ADJ-NL ZION-CU-ADJ-NL |



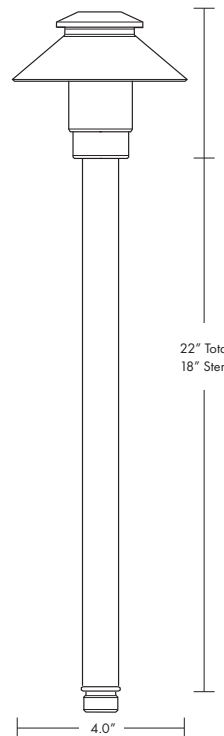
Brass (BR)



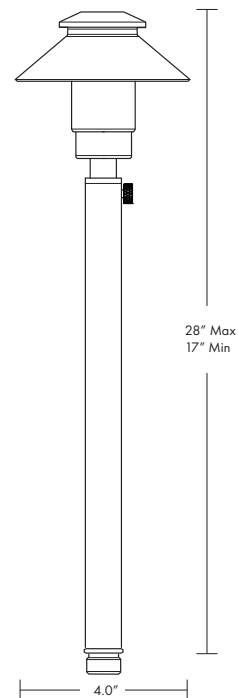
Copper (CU)



Brass + Black Cerakote® (BK)



Fixed Stem Option (F)



Adjustable Stem Option (A)

ROSWELL SOLAR PATH LIGHT



DESCRIPTION

The Roswell Solar Path Light is a solar energy-powered path light. The fixture is equipped with motion sensor settings. Automatic operation and wireless design make for easy installation and use. The wireless design makes this fixture perfect for areas without low voltage wiring such as: gardens, pathways, campsites, and large estates.

ROSWELL SOLAR PATH LIGHT

| | | | | | | | |
|-------------------------------|--|---------------------------|-----------|----------------|---------------------------|---------------|---------------------------|
| Use | Areas with Full Sun that Need a Solar Powered Landscape Light Areas with Full Sun that Need Motion Detection | | | | | | |
| Finish | Stainless Steel Construction with Opaque Diffuser | | | | | | |
| Includes | Mono-Crystalline Laminated Glass Solar Panel Battery - 18650, 2600mAh, 3.7V Two Mounting Options: Flush Mount or with Included Stake Three Modes of Motion Detection: <table border="0" style="margin-left: 40px;"> <tr> <td>Constant Dim Light</td> <td>30 Lumens</td> </tr> <tr> <td>Standby</td> <td>200 Lumens for 25 seconds</td> </tr> <tr> <td>Motion</td> <td>300 Lumens for 25 seconds</td> </tr> </table> | Constant Dim Light | 30 Lumens | Standby | 200 Lumens for 25 seconds | Motion | 300 Lumens for 25 seconds |
| Constant Dim Light | 30 Lumens | | | | | | |
| Standby | 200 Lumens for 25 seconds | | | | | | |
| Motion | 300 Lumens for 25 seconds | | | | | | |
| Warranty | 2 Year Warranty on Roswell Fixtures | | | | | | |
| Integrated Lamp | 1.8W, 5V, 3000K, CRI 83, IP65, 2 year warranty ROSWELL-SOLAR-PL | | | | | | |
| Operating Instructions | To turn on or off, press and hold the power button for five seconds. To change modes between three available settings, press the button for one second. Motion sensor is active at 20 to 26 feet distance at 90-degree angle. | | | | | | |



OLYMPIC


MR16 Bollard Light

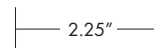
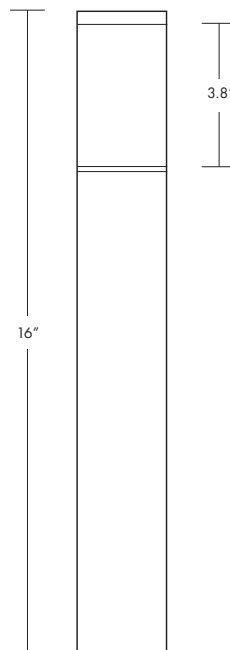


DESCRIPTION

The Olympic Bollard Light comes complete with an 360° frosted acrylic cover and when ordered with a lamp, includes a Chameleon MR16 Lamp for RGBW designs. This bollard light is a perfect way to add color to your pathways and walkways. For non-RGBW applications, order the Olympic without a lamp and pair it with any of our other MR16 lamp options.

OLYMPIC BOLLARD

| | | |
|---------------------------|--|---|
| Use | Path, Area, and Garden Accent Lighting | |
| Finish | Brass, Copper, or Brass w/ Black Cerakote® | |
| Includes | ABS Mounting Stake, Lighting Shrink Professional Crimp and Heat Shrink Cable Connector | |
| Warranty | Lifetime Warranty on National Parks Series Fixtures | |
| Order With Lamp | Chameleon MR16  | OLYMPIC-BK OLYMPIC-BR OLYMPIC-CU |
| Order Without Lamp | Fits Chameleon MR16, MR16 | OLYMPIC-BK-NL OLYMPIC-BR-NL OLYMPIC-CU-NL |



Brass (BR)



Copper (CU)



Brass + Black Cerakote® (BK)

MOUNT RAINIER

INTEGRATED BOLLARD



DESCRIPTION

The Mount Rainier Bollard features two cutout options with an integrated Frosted Mini Beam; one window or three windows. This bollard light is a perfect way to add soft light to your pathways and walkways. Dimmable with Brilliance Dimmer and most magnetic transformers. Order with stainless steel Impaler or ABS mounting stake. Light source ETL Certified for UL 1838 and CSA C22.2 Standards. .

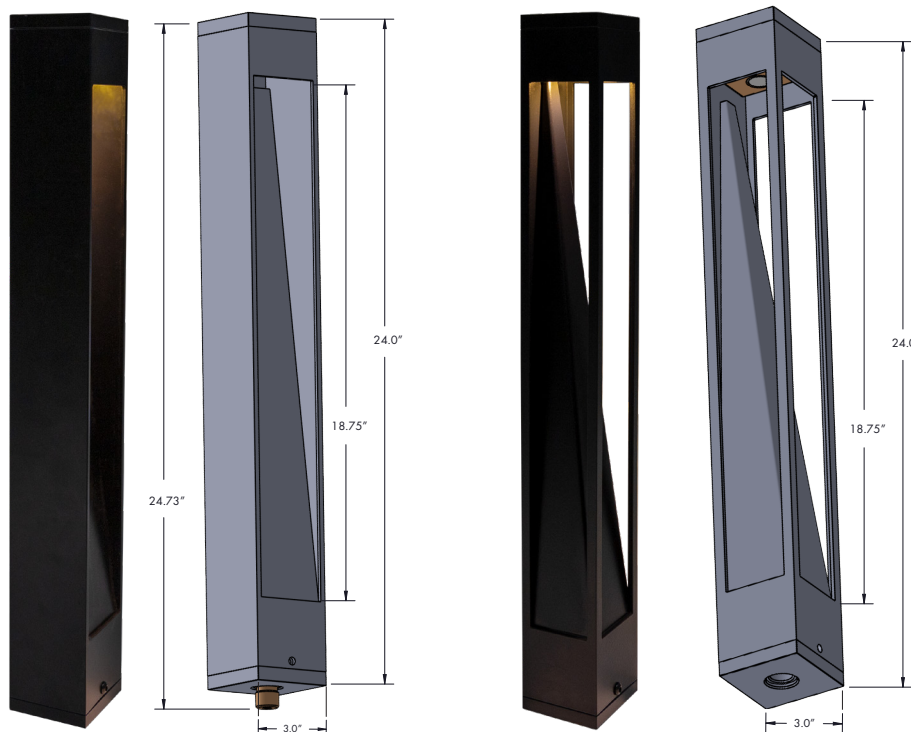
MOUNT RAINIER INTEGRATED BOLLARD

| | |
|-------------------------------------|---|
| Use | Path, Area, and Garden Accent Lighting |
| Finish | Black Powder Coated Aluminum |
| Includes | Lighting Shrink Professional Crimp and Heat Shrink Cable Connector |
| Warranty | 10 Year Warranty on Aluminum Fixtures |
| Integrated Lamp w/ Impaler | <p>Frosted Mini Beam - 6W, 3000K, 120°, 400 Lumens, CRI 80, IP65, 8-15VAC, 5 yr warranty, 9.23VA, 30,000 hrs</p> <p>One Window RAINIER-1-IMP</p> <p>Three Window RAINIER-3-IMP</p> |
| Integrated Lamp w/ ABS Stake | <p>Frosted Mini Beam - 6W, 3000K, 120°, 400 Lumens, CRI 80, IP65, 8-15VAC, 5 yr warranty, 9.23VA, 30,000 hrs</p> <p>One Window RAINIER-1-STK</p> <p>Three Window RAINIER-3-STK</p> |

Impaler ABS Stake



Black Powder Coated Aluminum



One Window

Three Window

CARLSBAD

MR16 WELL LIGHT



DESCRIPTION

The Carlsbad Well Light is fitted for any MR16 lamp and comes to life with the Brilliance Chameleon MR16. The flat glass top comes in a brass finish.

CARLSBAD WELL LIGHT

| | | |
|---------------------------|---|--|
| Use | Well Lighting & Underground Up Lighting | |
| Finish | Brass, Copper, or Brass w/ Black Cerakote® | |
| Includes | Lighting Shrink Professional Crimp and Heat Shrink Cable Connector, Honeycomb Louver | |
| Warranty | Lifetime Warranty on National Parks Series Fixtures | |
| Order With Lamp | MR16, 4W, 2700K, 30° | CARLSBAD-BK CARLSBAD-BR CARLSBAD-CU |
| Order Without Lamp | Fits Chameleon MR16, MR16 | CARLSBAD-BK-NL CARLSBAD-BR-NL CARLSBAD-CU-NL |



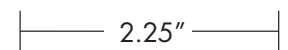
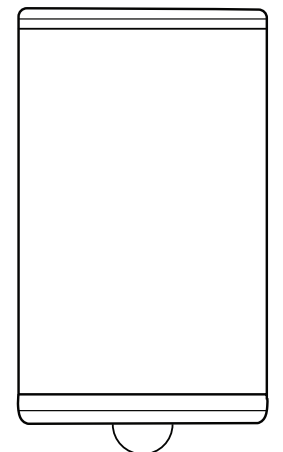
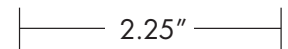
Brass (BR)



Copper (CU)



Brass + Black Cerakote® (BK)



CARLSBAD FLANGE

MR16 Well Light



DESCRIPTION

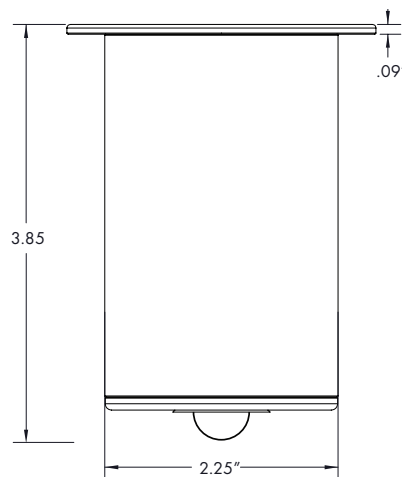
The Carlsbad Flange Well Light is ideal for recessed and hardscape applications like being core drilled into concrete, pavers, and driveways. (The recommended core drill size is 2.75 inches.) The Carlsbad Flange is fitted for any MR16 lamp and comes to life with the Brilliance Chameleon MR16. Like the original Carlsbad fixture, the flat glass top comes in a brass finish.

CARLSBAD FLANGE WELL LIGHT

| | | |
|---------------------------|---|------------------------------|
| Use | Well Lighting & Underground Up Lighting in Recessed & Hardscape Applications | |
| Finish | Brass | |
| Includes | PVC Sleeve, Lighting Shrink Professional Crimp and Heat Shrink Cable Connector, Honeycomb Louver | |
| Warranty | Lifetime Warranty on National Parks Series Fixtures | |
| Order With Lamp | MR16, 4W, 2700K, 30° | CARLSBAD-BR-FLANGE |
| Order Without Lamp | Fits Chameleon MR16, MR16 | CARLSBAD-BR-FLANGE-NL |



Brass (BR)



CONGAREE

MR11 Well Light

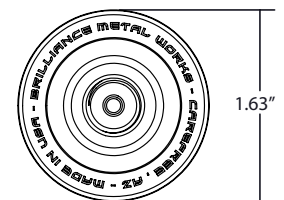


DESCRIPTION

The Congaree Well Light is fitted for any MR11 lamp. The flat glass top comes in a brass finish.

CONGAREE WELL LIGHT

| | | |
|---------------------------|---|--|
| Use | Well Lighting & Underground Up Lighting | |
| Finish | Brass, Copper, or Brass w/ Black Cerakote® | |
| Includes | Lighting Shrink Professional Crimp and Heat Shrink Cable Connector | |
| Warranty | Lifetime Warranty on National Parks Series Fixtures | |
| Order With Lamp | MR11, 2W, 2700K, 30° | CONGAREE-BK CONGAREE-BR CONGAREE-CU |
| Order Without Lamp | Fits MR11 | CONGAREE-BK-NL CONGAREE-BR-NL CONGAREE-CU-NL |



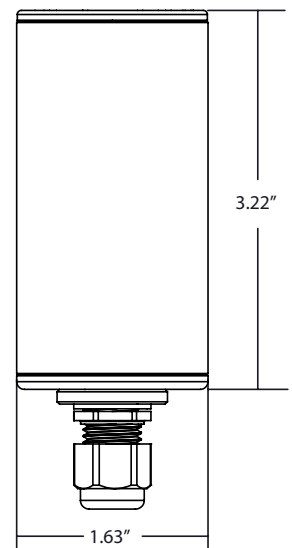
Brass (BR)



Copper (CU)



Brass + Black Cerakote®
(BK)



CONGAREE FLANGE

MR11 Well Light



DESCRIPTION

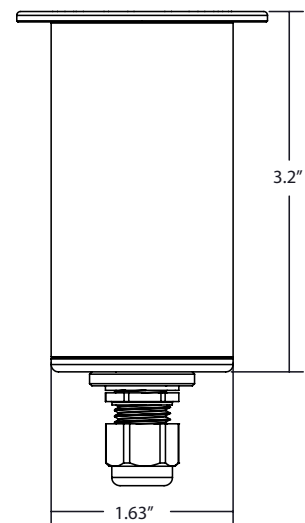
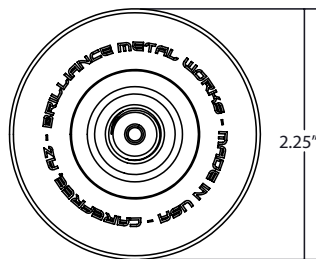
The Congaree Flange Well Light is ideal for recessed and hardscape applications like being core drilled into concrete, pavers, and driveways. (The recommended core drill size is 2.125 inches.) The Congaree Flange is fitted for any MR11 lamp. Like the original Congaree fixture, the flat glass top comes in a brass finish.

CONGAREE FLANGE WELL LIGHT

| | | |
|---------------------------|---|------------------------------|
| Use | Well Lighting & Underground Up Lighting in Recessed & Hardscape Applications | |
| Finish | Brass | |
| Includes | PVC Sleeve, Lighting Shrink Professional Crimp and Heat Shrink Cable Connector | |
| Warranty | Lifetime Warranty on National Parks Series Fixtures | |
| Order With Lamp | MR11, 2W, 2700K, 30° | CONGAREE-BR-FLANGE |
| Order Without Lamp | Fits MR11 | CONGAREE-BR-FLANGE-NL |



Brass (BR)

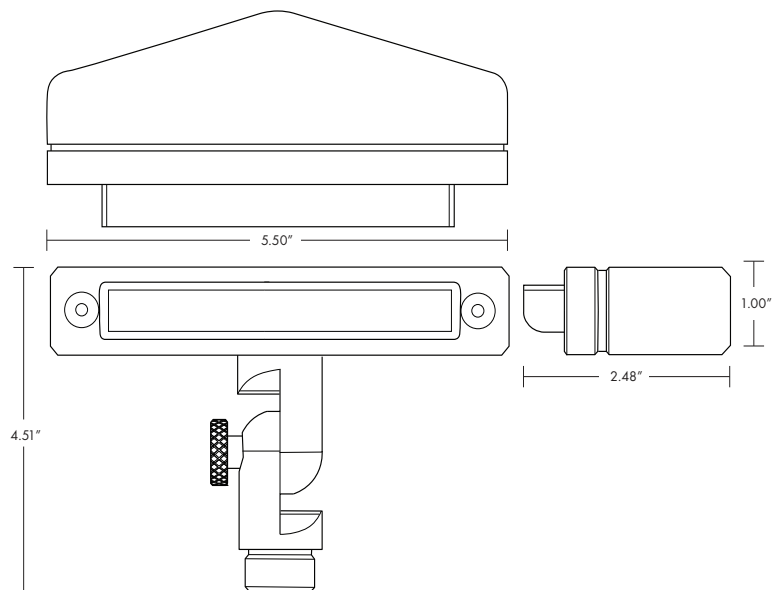


DESCRIPTION

The Ozark Soft Accent Light has an integrated Small Light Bar. It features a glare shield, as well as the Brilliance Metal Works signature adjustment system, which allows for 22 points of articulation of the knuckle in 10 degree increments. Dimmable with Brilliance Dimmer and most magnetic transformers. Light Source UL Certified E511083.

OZARK SOFT ACCENT LIGHT

| | |
|------------------------|--|
| Use | Uplighting, Grazing, and Backlighting Techniques Best for Low Level Wall Wash Techniques |
| Finish | Aluminum w/ Black Cerakote® |
| Includes | ABS Mounting Stake, Lighting Shrink Professional Crimp, and Heat Shrink Cable Connector |
| Warranty | 10 Year Warranty on Aluminum Fixtures |
| Integrated Lamp | Small Light Bar - 1.5W, 2700K, 110 Lumens, CRI 85, IP65, 8-15VAC, 1.67VA, 5 year warranty OZARK-2700 |
| | Small Light Bar - 1.5W, 3000K, 110 Lumens, CRI 85, IP65, 8-15VAC, 1.67VA, 5 year warranty OZARK-3000 |



Aluminum + Black Cerakote®
(BK)

CASCADES

Step Light

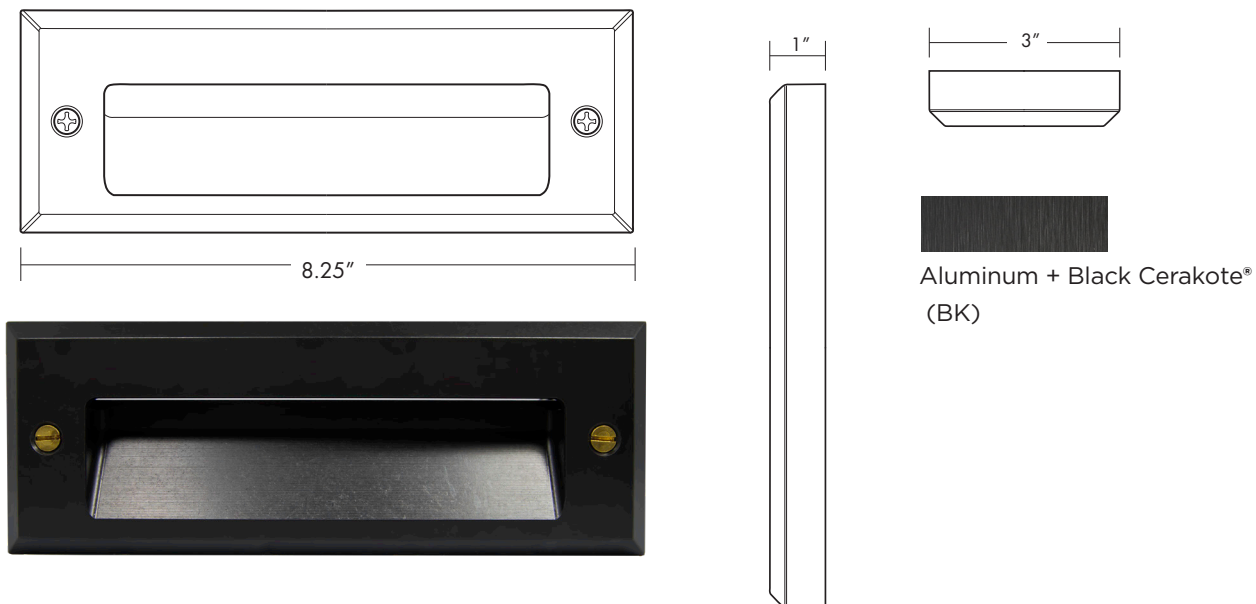


DESCRIPTION

The Cascades Step Light casts the right amount of indirect light for visual interest, as well as safety. Dimmable with Brilliance Dimmer and most magnetic transformers.

CASCADES STEP LIGHT

| | |
|------------------------|---|
| Use | Areas with Elevation Changes or Dark Sky Requirements Step, Deck, or Hardscape Applications, and Over Most Existing Recessed Step Lights |
| Finish | Aluminum w/ Black Cerakote® |
| Includes | Lighting Shrink Professional Crimp and Heat Shrink Cable Connector, 2 Mounting Screws |
| Warranty | 10 Year Warranty on Aluminum Fixtures |
| Integrated Lamp | 7.5" Light Bar - 1.5W, 2700K, 110 Lumens, CRI 85, IP65, 8-15VAC, 1.67VA, 5 year warranty CASCADES-2700-BK |
| | 7.5" Light Bar - 1.5W, 3000K, 110 Lumens, CRI 85, IP65, 8-15VAC, 1.67VA, 5 year warranty CASCADES-3000-BK |



INSTALLING THE FIXTURE

- 1. Separate the two pieces of the fixture by removing the two screws from both sides of the faceplate.**
- 2. If mounting in masonry, concrete, or sheetrock, install the wall anchors.**
- 3. Use the provided cable connectors to connect the lead wires to the transformer main line.**
- 4. Slide the cables into the conduit and mount the back plate onto the wall with the provided screws.**
- 5. Screw the faceplate onto the fixture.**

LIGHT BAR



DESCRIPTION

The Light Bar is easy to install and its rugged construction and black aluminum rail makes it a great fit for high-traffic areas. Light Bars are dimmable with most magnetic transformers and the frosted design offers continuous light. Enhanced ESD (Electro-Static Discharge) protection (IEC-61000-4-2). UL Certified E511083. Optional light bar shields in Copper or Stainless Steel are available in Small and Medium only.

LIGHT BAR

| | | |
|------------------------|---|--------------------|
| Use | Areas with Elevation Changes or Dark Sky Requirements Deck, Step, & Hardscape Applications | |
| Includes | Integrated Light Bar, Lighting Shrink Professional Crimp, and Heat Shrink Cable Connector | |
| Warranty | 5 Year Warranty on Light Bars | |
| Integrated Lamp | Small - 1.5W, 110 Lumens, 5.125" Length, CRI 85, IP65, 8-15VAC, 1.67VA, 5 yr warranty, 30,000 hrs | |
| | 2700K | BRI-LB-LED-2700-S |
| | 3000K | BRI-LB-LED-3000-S |
| | Amber | BRI-LB-LED-AMBER-S |
| | Medium - 2.5W, 200 Lumens, 9.0" Length, CRI 85, IP65, 8-15VAC, 2.78VA, 5 yr warranty, 30,000 hrs | |
| | 2700K | BRI-LB-LED-2700-M |
| | 3000K | BRI-LB-LED-3000-M |
| | Amber | BRI-LB-LED-AMBER-M |
| | Large - 4W, 300 Lumens, 12.875" Length, CRI 85, IP65, 8-15VAC, 4.40VA, 5 yr warranty, 30,000 hrs | |
| 2700K | BRI-LB-LED-2700-L | |
| 3000K | BRI-LB-LED-3000-L | |
| Accessories | Mounting Bracket | |
| | Small | BRI-MB-LED-S |
| | Medium | BRI-MB-LED-M |
| | Large | BRI-MB-LED-L |
| | Light Bar Shield | |
| | Small Copper | LBS-S-C |
| | Small Stainless | LBS-S-SS |
| | Medium Copper | LBS-M-C |
| | Medium Stainless | LBS-M-SS |

NEC® Article 411.5 (B): Lighting systems shall be installed not less than 3m (10ft.) horizontally from the nearest edge of the water, unless permitted by Article 680.



ADJUSTABLE AQUABEAM



DESCRIPTION

The Adjustable AquaBeam has been redesigned to use drop-in MR16 lamps in extremely wet or underwater applications. This new construction allows you to specify the wattage, beam spread, and color for your lighting design and is field serviceable. The Adjustable AquaBeam is precision machined from C464 Naval Brass and offers vertical and horizontal adjustment. It works best with premium Brilliance MR16 4W, 5W, or 7W lamps. Dimmable with Brilliance Dimmer and most magnetic transformers.

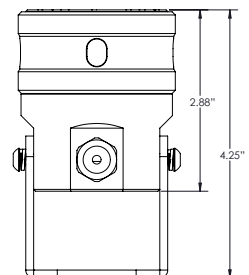
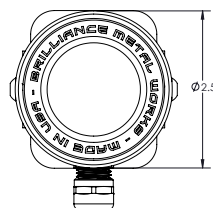


ADJUSTABLE AQUABEAM

| | |
|-----------------|--|
| Use | Fully Submersible, Ideal for Salt Water Applications |
| Finish | C464 Naval Brass |
| Includes | 25 ft Lead, Stainless Steel Bracket (marine grade) |
| Warranty | Lifetime Warranty on Brass Housing, 5 Year Warranty on All Internal Components at Maximum Depth of up to 10' (3m) |
| IP | 68 |

Order With Lamp

| MR16 4W | 15° | 30° | 60° | 120° |
|--------------|------------------------|--------------------------|--------------------------|-------------------------|
| 2700K | ADJ-AQUABEAM-4-2700-15 | ADJ-AQUABEAM-4-2700-30 | ADJ-AQUABEAM-4-2700-60 | ADJ-AQUABEAM-4-2700-120 |
| 3000K | ADJ-AQUABEAM-4-3000-15 | ADJ-AQUABEAM-4-3000-30 | ADJ-AQUABEAM-4-3000-60 | ADJ-AQUABEAM-4-3000-120 |
| 5700K | | | ADJ-AQUABEAM-4-5700-60 | |
| Amber | | ADJ-AQUABEAM-4-AMBER-30 | | |
| Blue | | ADJ-AQUABEAM-4-BLUE-30 | | |
| MR16 5W | 15° | 30° | 60° | 120° |
| 2700K | ADJ-AQUABEAM-5-2700-15 | ADJ-AQUABEAM-5-2700-30 | ADJ-AQUABEAM-5-2700-60 | ADJ-AQUABEAM-5-2700-120 |
| 3000K | ADJ-AQUABEAM-5-3000-15 | ADJ-AQUABEAM-5-3000-30 | ADJ-AQUABEAM-5-3000-60 | ADJ-AQUABEAM-5-3000-120 |
| 5700K | | ADJ-AQUABEAM-5-5700-30 | ADJ-AQUABEAM-5-5700-60 | |
| Amber | | ADJ-AQUABEAM-5-AMBER-30 | | |
| Blue | | ADJ-AQUABEAM-5-BLUE-30 | | |
| Green | | ADJ-AQUABEAM-5-GREEN-30 | | |
| Red | | ADJ-AQUABEAM-5-RED-30 | | |
| Silver Green | | ADJ-AQUABEAM-5-SLVRGR-30 | ADJ-AQUABEAM-5-SLVRGR-60 | |
| MR16 7W | 15° | 30° | 60° | 120° |
| 2700K | ADJ-AQUABEAM-7-2700-15 | ADJ-AQUABEAM-7-2700-30 | ADJ-AQUABEAM-7-2700-60 | ADJ-AQUABEAM-7-2700-120 |
| 3000K | ADJ-AQUABEAM-7-3000-15 | ADJ-AQUABEAM-7-3000-30 | ADJ-AQUABEAM-7-3000-60 | ADJ-AQUABEAM-7-3000-120 |
| 5700K | | ADJ-AQUABEAM-7-5700-30 | ADJ-AQUABEAM-7-5700-60 | ADJ-AQUABEAM-7-5700-120 |



*Note: Corrosive chemicals in the water of ponds and fountains as well as natural hard water and salt water could affect the appearance of the coating, but will not impact functionality of the product. For this reason, Brilliance LED makes no warranty or guarantee for change in appearance when this product is used in water, as it is designed to be used. (NOT for use in swimming pools, spas, or any contained water basin in contact with people per NEC Article 682.)

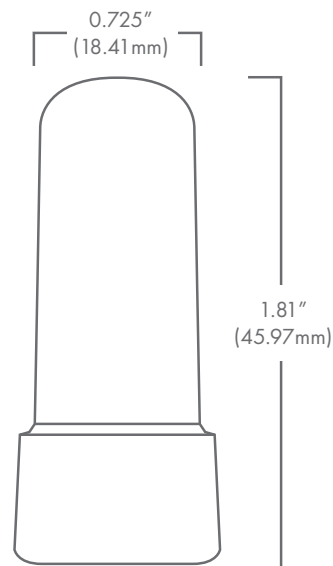
NICHE LIGHT

DESCRIPTION

The Niche Light is the perfect lamp to bring light to hard-to-reach places, whether under water, in a water feature, under stairs, stone walls, stone lanterns, or any small space. This omni-directional product solves the issue of fitting a fixture and a lamp into a small area. The Niche Light is wired with a 10ft lead and is ready to plug and play anywhere. We recommend using Lighting Shrink connections for Niche Lights. Dimmable with Brilliance Dimmer and most magnetic transformers.

NICHE LIGHT

| | |
|------------------------|--|
| Use | Fully Submersible in Water Features or Heavy Irrigation Areas Small Spaces that Need Omni-Directional Light |
| Includes | 10 ft. Lead |
| Warranty | 3 Year Warranty on Niche Lights |
| Integrated Lamp | Niche Light - 3W, 215 Lumens, CRI 90, IP68, 8-14VAC, 3 year warranty, 5.00VA, 30,000 hrs 2700K NICHE-LIGHT |



*Note: Corrosive chemicals in the water of ponds and fountains as well as natural hard water and salt water could affect the appearance of the coating, but will not impact functionality of the product. For this reason, Brilliance makes no warranty or guarantee for change in appearance when this product is used in water, as it is designed to be used. (NOT for use in swimming pools, spas, or any contained water basin in contact with people per NEC Article 682.)

MINI BEAM + STAKE & SHIELD

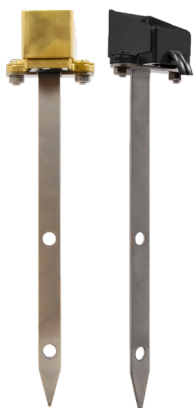


DESCRIPTION

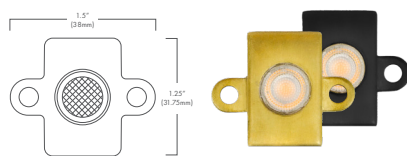
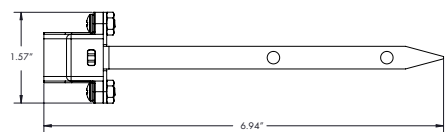
The Mini Beam is the perfect lamp to bring light to hard-to-reach places, whether under stairs, stone walls, stone lanterns, any small space, even under water. This directional product solves the issue of fitting a fixture and a lamp into a small area, and features Enhanced ESD (Electro-Static Discharge) protection (IEC-61000-4-2). We recommend using Lighting Shrink connections for Mini Beams. Dimmable with Brilliance Dimmer and most magnetic transformers. Now packaged and pre-assembled with the Stake & Shield accessory. If your application calls for it, shape or bend the stake to optimize the light's aim. The stake and shield can easily be removed other applications. ETL Certified for UL 1838 and CSA C22.2 Standards. Available in a Brass or Black (BK) finish.

MINI BEAM

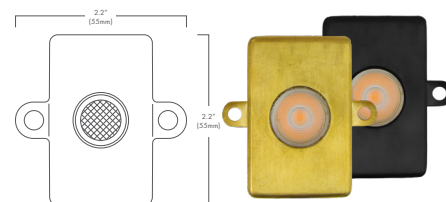
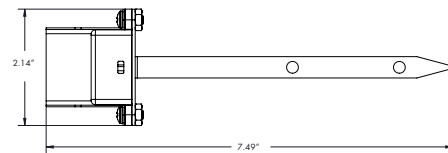
| | | | |
|--|--|-----------------------|------------------------|
| Use | Fully Submersible in Water Features or Heavy Irrigation Areas, Small Spaces that Need Directional Light | | |
| Finish | Brass or Black | | |
| Includes | Stainless Steel Stake, Stainless Steel Screws, Brass Shield, 12 ft Lead | | |
| Warranty | 5 Year Warranty on Mini Beams | | |
| Integrated Lamp | Mini Beam - 1.2W, 90 Lumens, 36°, CRI 90, IP68, 8-15VAC, 5 year warranty, 2.50VA 30,000 hrs | | |
| | | BRASS | BLACK |
| | 2700K | MINI-BEAM-2700-90-BR | MINI-BEAM-2700-90-BK |
| | 3000K | MINI-BEAM-3000-90-BR | MINI-BEAM-3000-90-BK |
| | Amber | MINI-BEAM-AMBER-90-BR | MINI-BEAM-AMBER-90-BK |
| | Blue | MINI-BEAM-BLUE-90-BR | MINI-BEAM-BLUE-90-BK |
| | Green | MINI-BEAM-GREEN-90-BR | MINI-BEAM-GREEN-90-zBK |
| | Mini Beam - 2.5W, 200 Lumens, 36°, CRI 90, IP68, 8-15VAC, 5 year warranty, 3.75VA, 30,000 hrs | | |
| | | BRASS | BLACK |
| | 2700K | MINI-BEAM-2700-200-BR | MINI-BEAM-2700-200-BK |
| 3000K | MINI-BEAM-3000-200-BR | MINI-BEAM-3000-200-BK | |
| Mini Beam - 5W, 400 Lumens, 36°, CRI 90, IP68, 8-15VAC, 5 year warranty, 9.23VA, 30,000 hrs | | | |
| | BRASS | BLACK | |
| 2700K | MINI-BEAM-2700-400-BR | MINI-BEAM-2700-400-BK | |
| 3000K | MINI-BEAM-3000-400-BR | MINI-BEAM-3000-400-BK | |



90 and 200



400



*Note: Corrosive chemicals in the water of ponds and fountains as well as natural hard water and salt water could affect the appearance of the coating, but will not impact functionality of the product. For this reason, Brilliance LED makes no warranty or guarantee for change in appearance when this product is used in water, as it is designed to be used. (NOT for use in swimming pools, spas, or any contained water basin in contact with people per NEC Article 682.)

GUTTER MOUNT

Mini Beam Accessory



DESCRIPTION

The Gutter Mount is an easy-to-affix, sleek accessory bracket that pairs with Mini Beams to light upper segments of structures. The low profile of the Gutter Mount makes it an unobtrusive lighting option compared to traditional upright fixtures.

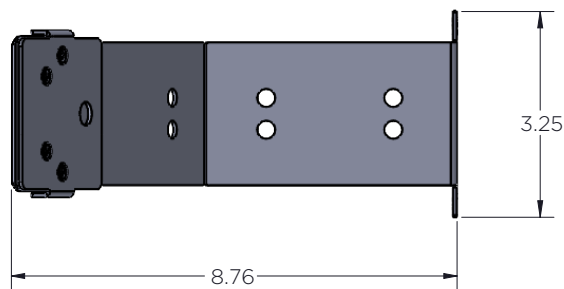
The stainless steel bracket is engineered to work with the various sizes of Mini Beams and offers 30 degrees of vertical adjustment. It can also be painted to match its surroundings. Includes two bracket mounting screws and zip ties. Mini Beam sold separately.

GUTTER MOUNT

| | | |
|-----------------------------------|---|---------------------|
| Use | Upper Segments of Residential or Commercial Structures, Like Dormers or Other Architectural Features | |
| Finish | Stainless Steel | |
| Includes | Gutter Mount, Mounting Bracket Screws, Zip Ties | |
| Warranty | Lifetime Warranty on Gutter Mount Accessory | |
| Order Without Light Source | Fits Any Mini Beam | GUTTER-MOUNT |



Gutter Mount shown with 400 Lumen Mini Beam (not included)



INSTALLING THE GUTTER MOUNT

- 1. Attach the Mini Beam to the Gutter Mount using the supplied bracket screws.**
- 2. Attach the Gutter Mount to the fascia of the structure.**
- 3. Adjust the gimbal bracket to the preferred location and tighten the screws.**
- 4. Secure the Mini Beam wire to the Gutter Mount bracket using the supplied zip ties.**
- 5. Wire the Mini Beam into a low voltage power supply.**

REPLACEMENT PARTS



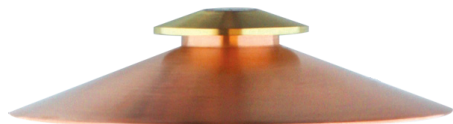
MR-11 SHIELD FOR ACADIA

SHIELD-MR11-BK
SHIELD-MR11-BR
SHIELD-MR11-CU



MR-16 SHIELD FOR DENALI & ARCHES

SHIELD-MR16-BK
SHIELD-MR16-BR
SHIELD-MR16-CU



SEQUOIA TOP

PL-7-LID ASSEMBLY-BK
PL-7-LID-ASSEMBLY-BR
PL-7-LID-ASSEMBLY-CU



ZION TOP

PL-4-LID-ASSEMBLY-BK
PL-4-LID-ASSEMBLY-BR
PL-4-LID-ASSEMBLY-CU



PATHLIGHT GLASS

PL-GLASS-ASSEMBLY
PL-GLASS-ASSEMBLY-BLK

THE IMPALER

Made of stainless steel and measuring 12.5 inches long, this stake will ensure the security of any fixture. The two holes allow for rebar to run through the stake for extra security.



IMPALER

HONEYCOMB LOUVER

This hexagonal accessory lays between the lamp and the lens of any MR16 spring loaded fixture to reduce glare.



DL-MR16-LOUVER-4.33

ACCESSORIES



DIRECTIONAL DOWNLIGHT TREE

MOUNT

This tree mount allows for the Arches fixture to be mounted by screws or a fastening belt around any post or tree. Screws and wrench included.



TREE-MOUNT

CHAMELEON PROGRAMMING

PUCK

This handy tool helps with the set up of any Chameleon series lamp, using any 12-volt AC or DC power source. Battery pack and batteries included.



PROGRAMMING-PUCK

MR11/MR8 RING ADAPTERS

Adapters for MR11 and MR8 lamps to fit inside MR16 sized fixtures. Includes both MR11 and MR8 adapter rings.

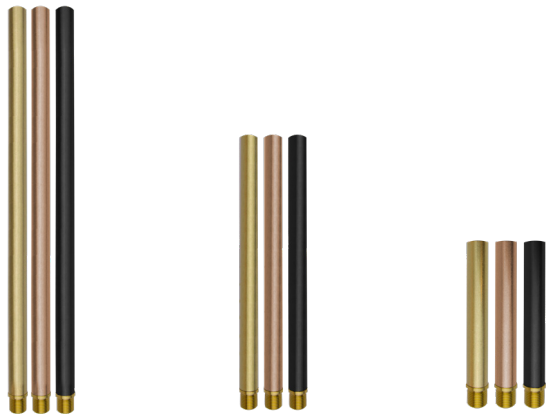


shown: MR11 Adapter

MR8-MR11-ADAPTER-RING

RISERS

Add a 6", 12", or 18" riser to elevate fixtures above obstacles such as foliage.



- RISER-6-F
- RISER-12-F
- RISER-18-F

F=Finish

DECK MOUNT

The Brilliance Metal Works deck mount is made from solid round aluminum or brass stock. It is machined through a CNC computerized process making it a virtually flawless design. Three mounting holes allow the canopy to be installed evenly on any hard-flat surface. A cable relief slot is located on the bottom side of the mount. Designed with a 1/2" NPT female thread and accepts all Brilliance Metal Works stem and knuckled fixtures.



- DECK-MOUNT-AL-BK
- DECK-MOUNT-BK
- DECK-MOUNT-BR

90 DEGREE ADAPTER

Add the 90 Degree Adapter to one of our directional fixtures (such as a Denali or Acadia) to create a versatile one of a kind lighting solution. Available in one-, two- and three-way mounting points. Includes a 90 Degree Adapter, an 18" Stem, 2 Lock Nuts, and a Wrench. Fixture sold separately.



- *Special Order 90-1-H-F* (one mounting point)
- *Special Order 90-2-H-F* (two mounting points)
- *Special Order 90-3-H-F* (three mounting points)

H=Height F=Finish

HONORABLE MENTION
2024 PHOTO CONTEST

Photograph courtesy of National Lawn Sprinklers & Outdoor Living

REFERENCE INFORMATION

RESOURCES

PHOTOMETRICS

**MR8 2700K 15°
CANDLEPOWER=491.27**

| Distance | | Foot Candles |
|----------|--------|--------------|
| 2 ft | 6" | 122.82 |
| 4 ft | 1' 1" | 30.70 |
| 6 ft | 1' 7" | 13.65 |
| 8 ft | 2' 1" | 7.68 |
| 10 ft | 2' 8" | 4.91 |
| 15 ft | 3' 11" | 2.18 |
| 20 ft | 5' 3" | 1.23 |
| 30ft | 7' 11" | 0.55 |
| 40 ft | 10' 6" | 0.31 |
| 50 ft | 13' 2" | 0.20 |

**MR11/AR11 2700K 15°
CANDLEPOWER=914.21**

| Distance | | Foot Candles |
|----------|--------|--------------|
| 2 ft | 6" | 228.55 |
| 4 ft | 1' 1" | 57.14 |
| 6 ft | 1' 7" | 25.39 |
| 8 ft | 2' 1" | 14.28 |
| 10 ft | 2' 8" | 9.14 |
| 15 ft | 3' 11" | 4.06 |
| 20 ft | 5' 3" | 2.29 |
| 30ft | 7' 11" | 1.02 |
| 40 ft | 10' 6" | 0.57 |
| 50 ft | 13' 2" | 0.37 |

**MR16 2700K 15° 4W
CANDLEPOWER=488.72**

| Distance | | Foot Candles |
|----------|--------|--------------|
| 2 ft | 6" | 946.07 |
| 4 ft | 1' 1" | 236.52 |
| 6 ft | 1' 7" | 105.12 |
| 8 ft | 2' 1" | 59.13 |
| 10 ft | 2' 8" | 37.84 |
| 15 ft | 3' 11" | 16.82 |
| 20 ft | 5' 3" | 9.46 |
| 30ft | 7' 11" | 4.20 |
| 40 ft | 10' 6" | 2.37 |
| 50 ft | 13' 2" | 1.51 |

**MR8 2700K 30°
CANDLEPOWER=263.11**

| Distance | | Foot Candles |
|----------|---------|--------------|
| 2 ft | 1' 1" | 65.78 |
| 4 ft | 2' 2" | 16.44 |
| 6 ft | 3' 3" | 7.31 |
| 8 ft | 4' 3" | 4.11 |
| 10 ft | 5' 4" | 2.63 |
| 15 ft | 8' | 1.17 |
| 20 ft | 10' 9" | 0.66 |
| 30ft | 16' 1" | 0.29 |
| 40 ft | 21' 5" | 0.16 |
| 50 ft | 26' 10" | 0.11 |

**MR11/AR11 2700K 30°
CANDLEPOWER=274.57**

| Distance | | Foot Candles |
|----------|---------|--------------|
| 2 ft | 1' 1" | 65.78 |
| 4 ft | 2' 2" | 16.44 |
| 6 ft | 3' 3" | 7.31 |
| 8 ft | 4' 3" | 4.11 |
| 10 ft | 5' 4" | 2.63 |
| 15 ft | 8' | 1.17 |
| 20 ft | 10' 9" | 0.66 |
| 30ft | 16' 1" | 0.29 |
| 40 ft | 21' 5" | 0.16 |
| 50 ft | 26' 10" | 0.11 |

**MR16 2700K 30° 4W
CANDLEPOWER=232.03**

| Distance | | Foot Candles |
|----------|---------|--------------|
| 2 ft | 1' 1" | 552.71 |
| 4 ft | 2' 2" | 138.18 |
| 6 ft | 3' 3" | 61.41 |
| 8 ft | 4' 3" | 34.54 |
| 10 ft | 5' 4" | 22.11 |
| 15 ft | 8' | 9.83 |
| 20 ft | 10' 9" | 5.53 |
| 30ft | 16' 1" | 2.46 |
| 40 ft | 21' 5" | 1.38 |
| 50 ft | 26' 10" | 0.88 |

**MR8 2700K 60°
CANDLEPOWER=76.9**

| Distance | | Foot Candles |
|----------|--------|--------------|
| 2 ft | 2' 4" | 19.23 |
| 4 ft | 4' 8" | 4.81 |
| 6 ft | 6' 11" | 2.14 |
| 8 ft | 9' 3" | 1.20 |
| 10 ft | 11' 6" | 0.77 |
| 15 ft | 17' 4" | 0.34 |
| 20 ft | 23' 1" | 0.19 |
| 30ft | 37' 7" | 0.09 |
| 40 ft | 46' 2" | 0.05 |
| 50 ft | 57' 8" | 0.03 |

**MR11/AR11 2700K 60°
CANDLEPOWER=114.1**

| Distance | | Foot Candles |
|----------|--------|--------------|
| 2 ft | 2' 4" | 28.53 |
| 4 ft | 4' 8" | 7.13 |
| 6 ft | 6' 11" | 3.17 |
| 8 ft | 9' 3" | 1.78 |
| 10 ft | 11' 6" | 1.14 |
| 15 ft | 17' 4" | 0.51 |
| 20 ft | 23' 1" | 0.29 |
| 30ft | 37' 7" | 0.13 |
| 40 ft | 46' 2" | 0.07 |
| 50 ft | 57' 8" | 0.05 |

**MR16 2700K 60° 4W
CANDLEPOWER=123.45**

| Distance | | Foot Candles |
|----------|--------|--------------|
| 2 ft | 2' 4" | 215.84 |
| 4 ft | 4' 8" | 53.96 |
| 6 ft | 6' 11" | 23.98 |
| 8 ft | 9' 3" | 13.49 |
| 10 ft | 11' 6" | 8.63 |
| 15 ft | 17' 4" | 3.84 |
| 20 ft | 23' 1" | 2.16 |
| 30ft | 37' 7" | 0.96 |
| 40 ft | 46' 2" | 0.54 |
| 50 ft | 57' 8" | 0.35 |

**MR8 2700K 120°
CANDLEPOWER=41.45**

| Distance | | Foot Candles |
|----------|----------|--------------|
| 2 ft | 6' 11" | 10.36 |
| 4 ft | 13' 10" | 2.59 |
| 6 ft | 20' 9" | 1.15 |
| 8 ft | 27' 9" | 0.65 |
| 10 ft | 34' 8" | 0.41 |
| 15 ft | 52' | 0.18 |
| 20 ft | 69' 3" | 0.10 |
| 30ft | 103' 11" | 0.05 |
| 40 ft | 138' 7" | 0.03 |
| 50 ft | 173' 2" | 0.02 |

**MR11/AR11 2700K 120°
CANDLEPOWER=60.68**

| Distance | | Foot Candles |
|----------|----------|--------------|
| 2 ft | 6' 11" | 15.17 |
| 4 ft | 13' 10" | 3.79 |
| 6 ft | 20' 9" | 1.69 |
| 8 ft | 27' 9" | 0.95 |
| 10 ft | 34' 8" | 0.61 |
| 15 ft | 52' | 0.27 |
| 20 ft | 69' 3" | 0.15 |
| 30ft | 103' 11" | 0.07 |
| 40 ft | 138' 7" | 0.04 |
| 50 ft | 173' 2" | 0.02 |

**MR16 2700K 120° 4W
CANDLEPOWER=46.18**

| Distance | | Foot Candles |
|----------|----------|--------------|
| 2 ft | 6' 11" | 93.15 |
| 4 ft | 13' 10" | 23.29 |
| 6 ft | 20' 9" | 10.35 |
| 8 ft | 27' 9" | 5.82 |
| 10 ft | 34' 8" | 3.73 |
| 15 ft | 52' | 1.66 |
| 20 ft | 69' 3" | 0.93 |
| 30ft | 103' 11" | 0.41 |
| 40 ft | 138' 7" | 0.23 |
| 50 ft | 173' 2" | 0.15 |

PHOTOMETRICS

| MR16 2700K 15° 5W CANDLEPOWER=565.78 | | |
|---|--------|--------------|
| Distance | | Foot Candles |
| 2 ft | 6" | 1156.80 |
| 4 ft | 1' 1" | 289.20 |
| 6 ft | 1' 7" | 128.53 |
| 8 ft | 2' 1" | 72.30 |
| 10 ft | 2' 8" | 46.27 |
| 15 ft | 3' 11" | 20.57 |
| 20 ft | 5' 3" | 11.57 |
| 30ft | 7' 11" | 5.14 |
| 40 ft | 10' 6" | 2.89 |
| 50 ft | 13' 2" | 1.85 |

| MR16 2700K 15° 7W CANDLEPOWER=1003.17 | | |
|--|--------|--------------|
| Distance | | Foot Candles |
| 2 ft | 6" | 2236.9 |
| 4 ft | 1' 1" | 559.24 |
| 6 ft | 1' 7" | 248.55 |
| 8 ft | 2' 1" | 139.81 |
| 10 ft | 2' 8" | 89.48 |
| 15 ft | 3' 11" | 39.77 |
| 20 ft | 5' 3" | 22.37 |
| 30ft | 7' 11" | 9.94 |
| 40 ft | 10' 6" | 5.59 |
| 50 ft | 13' 2" | 3.58 |

| PAR36 2700K 15° 4W CANDLEPOWER=993.88 | | |
|--|--------|--------------|
| Distance | | Foot Candles |
| 2 ft | 6" | 1728.60 |
| 4 ft | 1' 1" | 432.15 |
| 6 ft | 1' 7" | 192.07 |
| 8 ft | 2' 1" | 108.04 |
| 10 ft | 2' 8" | 69.14 |
| 15 ft | 3' 11" | 30.73 |
| 20 ft | 5' 3" | 17.29 |
| 30ft | 7' 11" | 7.68 |
| 40 ft | 10' 6" | 4.32 |
| 50 ft | 13' 2" | 2.77 |

| MR16 2700K 30° 5W CANDLEPOWER=280.99 | | |
|---|---------|--------------|
| Distance | | Foot Candles |
| 2 ft | 1' 1" | 1099.60 |
| 4 ft | 2' 2" | 274.90 |
| 6 ft | 3' 3" | 122.18 |
| 8 ft | 4' 3" | 68.72 |
| 10 ft | 5' 4" | 43.98 |
| 15 ft | 8' | 19.55 |
| 20 ft | 10' 9" | 11.00 |
| 30ft | 16' 1" | 4.89 |
| 40 ft | 21' 5" | 2.75 |
| 50 ft | 26' 10" | 1.76 |

| MR16 2700K 30° 7W CANDLEPOWER=651 | | |
|--------------------------------------|---------|--------------|
| Distance | | Foot Candles |
| 2 ft | 1' 1" | 1391.34 |
| 4 ft | 2' 2" | 347.84 |
| 6 ft | 3' 3" | 154.59 |
| 8 ft | 4' 3" | 86.96 |
| 10 ft | 5' 4" | 55.65 |
| 15 ft | 8' | 24.73 |
| 20 ft | 10' 9" | 13.91 |
| 30ft | 16' 1" | 6.18 |
| 40 ft | 21' 5" | 3.48 |
| 50 ft | 26' 10" | 2.23 |

| PAR36 2700K 30° 4W CANDLEPOWER=615.10 | | |
|--|---------|--------------|
| Distance | | Foot Candles |
| 2 ft | 1' 1" | 1087.90 |
| 4 ft | 2' 2" | 271.91 |
| 6 ft | 3' 3" | 120.88 |
| 8 ft | 4' 3" | 67.99 |
| 10 ft | 5' 4" | 43.52 |
| 15 ft | 8' | 19.34 |
| 20 ft | 10' 9" | 10.88 |
| 30ft | 16' 1" | 4.84 |
| 40 ft | 21' 5" | 2.72 |
| 50 ft | 26' 10" | 1.74 |

| MR16 2700K 60° 5W CANDLEPOWER=140.35 | | |
|---|--------|--------------|
| Distance | | Foot Candles |
| 2 ft | 2' 4" | 378.08 |
| 4 ft | 4' 8" | 94.52 |
| 6 ft | 6' 11" | 42.01 |
| 8 ft | 9' 3" | 23.63 |
| 10 ft | 11' 6" | 15.12 |
| 15 ft | 17' 4" | 6.72 |
| 20 ft | 23' 1" | 3.78 |
| 30ft | 37' 7" | 1.68 |
| 40 ft | 46' 2" | 0.95 |
| 50 ft | 57' 8" | 0.60 |

| MR16 2700K 60° 7W CANDLEPOWER=267.57 | | |
|---|--------|--------------|
| Distance | | Foot Candles |
| 2 ft | 2' 4" | 710.46 |
| 4 ft | 4' 8" | 177.61 |
| 6 ft | 6' 11" | 78.94 |
| 8 ft | 9' 3" | 44.40 |
| 10 ft | 11' 6" | 28.42 |
| 15 ft | 17' 4" | 12.63 |
| 20 ft | 23' 1" | 7.10 |
| 30ft | 37' 7" | 3.16 |
| 40 ft | 46' 2" | 1.78 |
| 50 ft | 57' 8" | 1.14 |

| PAR36 2700K 60° 4W CANDLEPOWER=141.39 | | |
|--|--------|--------------|
| Distance | | Foot Candles |
| 2 ft | 2' 4" | 356.96 |
| 4 ft | 4' 8" | 89.24 |
| 6 ft | 6' 11" | 39.66 |
| 8 ft | 9' 3" | 22.31 |
| 10 ft | 11' 6" | 14.28 |
| 15 ft | 17' 4" | 6.35 |
| 20 ft | 23' 1" | 3.57 |
| 30ft | 37' 7" | 1.59 |
| 40 ft | 46' 2" | 0.89 |
| 50 ft | 57' 8" | 0.57 |

| MR16 2700K 120° 5W CANDLEPOWER=56.86 | | |
|---|----------|--------------|
| Distance | | Foot Candles |
| 2 ft | 6' 11" | 114.70 |
| 4 ft | 13' 10" | 28.67 |
| 6 ft | 20' 9" | 12.74 |
| 8 ft | 27' 9" | 7.17 |
| 10 ft | 34' 8" | 4.59 |
| 15 ft | 52' | 2.04 |
| 20 ft | 69' 3" | 1.15 |
| 30ft | 103' 11" | 0.51 |
| 40 ft | 138' 7" | 0.29 |
| 50 ft | 173' 2" | 0.18 |

| MR16 2700K 120° 7W CANDLEPOWER=100.74 | | |
|--|----------|--------------|
| Distance | | Foot Candles |
| 2 ft | 6' 11" | 203.21 |
| 4 ft | 13' 10" | 50.80 |
| 6 ft | 20' 9" | 22.58 |
| 8 ft | 27' 9" | 12.70 |
| 10 ft | 34' 8" | 8.13 |
| 15 ft | 52' | 3.61 |
| 20 ft | 69' 3" | 2.03 |
| 30ft | 103' 11" | 0.90 |
| 40 ft | 138' 7" | 0.51 |
| 50 ft | 173' 2" | 0.33 |

| PAR36 2700K 120° 4W CANDLEPOWER=53.57 | | |
|--|----------|--------------|
| Distance | | Foot Candles |
| 2 ft | 6' 11" | 108.06 |
| 4 ft | 13' 10" | 27.02 |
| 6 ft | 20' 9" | 12.01 |
| 8 ft | 27' 9" | 6.75 |
| 10 ft | 34' 8" | 4.32 |
| 15 ft | 52' | 1.92 |
| 20 ft | 69' 3" | 1.08 |
| 30ft | 103' 11" | 0.48 |
| 40 ft | 138' 7" | 0.27 |
| 50 ft | 173' 2" | 0.17 |

PHOTOMETRICS

**PAR36 2700K 15° 7W
CANDLEPOWER=1633.79**

| Distance | Foot Candles | |
|----------|--------------|---------|
| 2 ft | 6" | 2994.37 |
| 4 ft | 1' 1" | 748.59 |
| 6 ft | 1' 7" | 332.71 |
| 8 ft | 2' 1" | 187.15 |
| 10 ft | 2' 8" | 119.77 |
| 15 ft | 3' 11" | 53.23 |
| 20 ft | 5' 3" | 29.94 |
| 30ft | 7' 11" | 13.31 |
| 40 ft | 10' 6" | 7.49 |
| 50 ft | 13' 2" | 4.79 |

**PAR36 2700K 15° 11W
CANDLEPOWER=1524.06**

| Distance | Foot Candles | |
|----------|--------------|---------|
| 2 ft | 6" | 4721.78 |
| 4 ft | 1' 1" | 1180.45 |
| 6 ft | 1' 7" | 524.64 |
| 8 ft | 2' 1" | 295.11 |
| 10 ft | 2' 8" | 188.87 |
| 15 ft | 3' 11" | 83.94 |
| 20 ft | 5' 3" | 47.22 |
| 30ft | 7' 11" | 20.99 |
| 40 ft | 10' 6" | 11.80 |
| 50 ft | 13' 2" | 7.55 |

**PAR36 2700K 15° 15W
CANDLEPOWER=2332.45**

| Distance | Foot Candles | |
|----------|--------------|---------|
| 2 ft | 6" | 5585.89 |
| 4 ft | 1' 1" | 1396.47 |
| 6 ft | 1' 7" | 620.65 |
| 8 ft | 2' 1" | 349.12 |
| 10 ft | 2' 8" | 223.44 |
| 15 ft | 3' 11" | 99.30 |
| 20 ft | 5' 3" | 55.86 |
| 30ft | 7' 11" | 24.83 |
| 40 ft | 10' 6" | 13.96 |
| 50 ft | 13' 2" | 8.94 |

**PAR36 2700K 30° 7W
CANDLEPOWER=921.93**

| Distance | Foot Candles | |
|----------|--------------|---------|
| 2 ft | 1' 1" | 1681.19 |
| 4 ft | 2' 2" | 420.30 |
| 6 ft | 3' 3" | 186.80 |
| 8 ft | 4' 3" | 105.07 |
| 10 ft | 5' 4" | 67.25 |
| 15 ft | 8' | 29.98 |
| 20 ft | 10' 9" | 16.81 |
| 30ft | 16' 1" | 7.47 |
| 40 ft | 21' 5" | 4.20 |
| 50 ft | 26' 10" | 2.69 |

**PAR36 2700K 30° 11W
CANDLEPOWER=1453.65**

| Distance | Foot Candles | |
|----------|--------------|---------|
| 2 ft | 1' 1" | 1720.47 |
| 4 ft | 2' 2" | 430.12 |
| 6 ft | 3' 3" | 191.16 |
| 8 ft | 4' 3" | 107.53 |
| 10 ft | 5' 4" | 68.82 |
| 15 ft | 8' | 30.59 |
| 20 ft | 10' 9" | 17.20 |
| 30ft | 16' 1" | 7.65 |
| 40 ft | 21' 5" | 4.30 |
| 50 ft | 26' 10" | 2.75 |

**PAR36 2700K 30° 15W
CANDLEPOWER=2010.02**

| Distance | Foot Candles | |
|----------|--------------|---------|
| 2 ft | 1' 1" | 2252.99 |
| 4 ft | 2' 2" | 563.25 |
| 6 ft | 3' 3" | 250.33 |
| 8 ft | 4' 3" | 140.81 |
| 10 ft | 5' 4" | 90.12 |
| 15 ft | 8' | 40.05 |
| 20 ft | 10' 9" | 22.53 |
| 30ft | 16' 1" | 10.01 |
| 40 ft | 21' 5" | 5.63 |
| 50 ft | 26' 10" | 3.60 |

**PAR36 2700K 60° 7W
CANDLEPOWER=268.78**

| Distance | Foot Candles | |
|----------|--------------|--------|
| 2 ft | 2' 4" | 564.61 |
| 4 ft | 4' 8" | 141.15 |
| 6 ft | 6' 11" | 62.73 |
| 8 ft | 9' 3" | 35.29 |
| 10 ft | 11' 6" | 22.58 |
| 15 ft | 17' 4" | 10.04 |
| 20 ft | 23' 1" | 5.65 |
| 30ft | 37' 7" | 2.51 |
| 40 ft | 46' 2" | 1.41 |
| 50 ft | 57' 8" | 0.90 |

**PAR36 2700K 60° 11W
CANDLEPOWER=326.08**

| Distance | Foot Candles | |
|----------|--------------|--------|
| 2 ft | 2' 4" | 654.16 |
| 4 ft | 4' 8" | 163.54 |
| 6 ft | 6' 11" | 72.68 |
| 8 ft | 9' 3" | 40.88 |
| 10 ft | 11' 6" | 26.17 |
| 15 ft | 17' 4" | 11.63 |
| 20 ft | 23' 1" | 6.54 |
| 30ft | 37' 7" | 2.91 |
| 40 ft | 46' 2" | 1.64 |
| 50 ft | 57' 8" | 1.05 |

**PAR36 2700K 60° 15W
CANDLEPOWER=518.25**

| Distance | Foot Candles | |
|----------|--------------|---------|
| 2 ft | 2' 4" | 1141.96 |
| 4 ft | 4' 8" | 285.49 |
| 6 ft | 6' 11" | 126.88 |
| 8 ft | 9' 3" | 71.37 |
| 10 ft | 11' 6" | 45.68 |
| 15 ft | 17' 4" | 20.30 |
| 20 ft | 23' 1" | 11.42 |
| 30ft | 37' 7" | 5.08 |
| 40 ft | 46' 2" | 2.85 |
| 50 ft | 57' 8" | 1.83 |

**PAR36 2700K 120° 7W
CANDLEPOWER=62.75**

| Distance | Foot Candles | |
|----------|--------------|--------|
| 2 ft | 6' 11" | 126.58 |
| 4 ft | 13' 10" | 31.64 |
| 6 ft | 20' 9" | 14.06 |
| 8 ft | 27' 9" | 7.91 |
| 10 ft | 34' 8" | 5.06 |
| 15 ft | 52' | 2.25 |
| 20 ft | 69' 3" | 1.27 |
| 30ft | 103' 11" | 0.56 |
| 40 ft | 138' 7" | 0.32 |
| 50 ft | 173' 2" | 0.20 |

**PAR36 2700K 120° 11W
CANDLEPOWER=169.14**

| Distance | Foot Candles | |
|----------|--------------|--------|
| 2 ft | 6' 11" | 341.19 |
| 4 ft | 13' 10" | 85.30 |
| 6 ft | 20' 9" | 37.91 |
| 8 ft | 27' 9" | 21.32 |
| 10 ft | 34' 8" | 13.65 |
| 15 ft | 52' | 6.07 |
| 20 ft | 69' 3" | 3.41 |
| 30ft | 103' 11" | 1.52 |
| 40 ft | 138' 7" | 0.85 |
| 50 ft | 173' 2" | 0.55 |

**PAR36 2700K 120° 15W
CANDLEPOWER=228.93**

| Distance | Foot Candles | |
|----------|--------------|--------|
| 2 ft | 6' 11" | 461.80 |
| 4 ft | 13' 10" | 115.45 |
| 6 ft | 20' 9" | 51.31 |
| 8 ft | 27' 9" | 28.86 |
| 10 ft | 34' 8" | 18.47 |
| 15 ft | 52' | 8.21 |
| 20 ft | 69' 3" | 4.62 |
| 30ft | 103' 11" | 2.05 |
| 40 ft | 138' 7" | 1.15 |
| 50 ft | 173' 2" | 0.74 |

VOLT AMPS

Watts / Power Factor = Volt Amps

| LOW VOLTAGE | Watt | Power Factor | Volt Amps (VA) |
|-------------------------------|------|--------------|----------------|
| Micro G4 | 1.2 | 0.79 | 1.52 |
| Micro T5 | 1.2 | 0.79 | 1.52 |
| Beacon G4 | 2 | 0.61 | 3.28 |
| Beacon Plus G4 | 3 | 0.66 | 4.55 |
| Beacon T5 | 2 | 0.61 | 3.28 |
| Beacon SCB | 2 | 0.61 | 3.28 |
| Beacon DCB | 2 | 0.61 | 3.28 |
| Beacon S8 | 2 | 0.61 | 3.28 |
| G4 Ecostar | 2 | 0.60 | 3.33 |
| | 3 | 0.60 | 5.00 |
| T5 Ecostar | 3 | 0.60 | 5.00 |
| SCB Ecostar | 3 | 0.60 | 5.00 |
| Blaze G4 | 2 | 0.60 | 3.33 |
| Rectangle Wafer | 2 | 0.60 | 3.33 |
| | 3 | 0.58 | 5.10 |
| Round Wafer | 2 | 0.60 | 3.33 |
| MR8 | 1.5 | 0.60 | 2.50 |
| MR11 | 2 | 0.60 | 3.33 |
| AR11 | 2 | 0.60 | 3.33 |
| MR16 Ecostar | 4 | 0.63 | 6.35 |
| | 7 | 0.63 | 11.11 |
| MR16 | 4 | 0.63 | 6.35 |
| | 5 | 0.60 | 8.33 |
| | 7 | 0.63 | 11.11 |
| PAR36 | 4 | 0.60 | 6.67 |
| | 7 | 0.65 | 10.77 |
| | 11 | 0.69 | 15.94 |
| | 15 | 0.70 | 21.43 |
| Chameleon G4 | 2.5 | 0.60 | 4.17 |
| Chameleon MR16 | 6 | 0.65 | 9.23 |
| Chameleon PAR36 | 9 | 0.65 | 13.85 |
| Strip Light | 1.8 | 0.60 | 3.00 per ft |
| Wave Strip Light | 4.5 | 1.5 | 2.50 per ft |
| Candelabra Edge Filament | 2 | 0.85 | 2.35 |
| | 3.5 | 0.85 | 4.12 |
| S14 Edge Filament | 1 | 0.75 | 1.33 |
| | 2 | 0.75 | 2.67 |
| | 3.5 | 0.89 | 3.93 |
| Light Bar 7.5" in Cascades | 1.5 | 0.90 | 1.67 |
| Light Bar Small | 1.5 | 0.90 | 1.67 |
| Light Bar Medium | 2.5 | 0.90 | 2.78 |
| Light Bar Large | 4 | 0.91 | 4.40 |
| Aquabeam | 5 | 0.73 | 6.85 |
| | 10 | 0.88 | 11.36 |
| Niche Light | 3 | 0.60 | 5.00 |
| Mini Beam 90 | 1.5 | 0.60 | 2.50 |
| Mini Beam 200 | 3 | 0.80 | 3.75 |
| Mini Beam 400 & Mount Rainier | 6 | 0.65 | 9.23 |
| Guadalupe | 3.8 | 0.63 | 6.03 |
| Versa Beam | 3 | 0.63 | 4.78 |
| LINE VOLTAGE | Watt | Power Factor | Volt Amps (VA) |
| S14 Edge Filament | 2.5 | 0.90 | 2.78 |
| | 3.5 | 0.90 | 3.89 |
| Candelabra Edge Filament | 3.5 | 0.90 | 3.89 |
| A19 Edge Filament | 6.5 | 0.90 | 7.22 |
| Blaze Candelabra | 3 | 0.80 | 3.75 |

INGRESS PROTECTION RATINGS

The IP Code is published by the International Electrotechnical Commission (IEC).

What it does:

Classifies and rates the degree of protection provided against the intrusion (including body parts such as hands and fingers), dust, accidental contact, and water by mechanical casings and electrical enclosures.

For example, a product rated IP67 means that:

- **The product is protected against access to hazardous parts and is dust-tight**
- **It is also protected against the effects of temporary submersion in water (testing requires 30 minutes at 1-meter depth)**



1ST DIGIT DEFINITION

- 0 No protection against contact and ingress of objects.**
- 1 Protected against any large surface of the body, such as the back of a hand. Protected against solid objects greater than 50mm in size.**
- 2 Protected against access to hazardous parts by a finger or similar object. Protected against solid objects greater than 12.5mm in size.**
- 3 Protected against access to hazardous parts with a tool or thick wire. Protected against solid objects greater than 2.5mm in size.**
- 4 Protected against access to hazardous parts with a wire, screw, etc. Protected against solid objects greater than 1mm in size.**
- 5 Protected against access to hazardous parts. Dust protected.**
- 6 Protected against access to hazardous parts. Dust-tight.**

2ND DIGIT DEFINITION

- 0 No protection.**
- 1 Protected against water drops.**
- 2 Protected against water drops at a 15 degree angle.**
- 3 Protected against water spray at a 60 degree angle.**
- 4 Protected against water sprayed from all directions. Limited ingress permitted.**
- 5 Protected against low pressure jets from all directions.**
- 6 Protected against strong jets of water. For use on ship decks. Limited ingress permitted.**
- 7 Protected against the effects of temporary submersion in water. Test requires 30 minutes at 1 meter depth.**
- 8 Protected against the effects of long term submersion. Customer specification applies to a specified pressure and specific testing maybe required.**
- 9 Protected against high pressures associated with steam cleaning.**



BRILLIANCE™

A HIGHER LIGHT FORM®



WILDLIFE CERTIFIED LIGHTING



MICRO G4



MR8



MR11



AR11



MR16



PAR36

| | MICRO G4 | MR8 | MR11 | AR11 | MR16 | PAR36 |
|------------------------|-------------|-------------|-------------|-------------|-------------|-------------|
| Wattage | 1.2W | 1.5W | 2W | 2W | 4W 5W | 7W 11W |
| Volt Amps | 1.52 | 2.5 | 3.33 | 3.33 | 6.35 8.33 | 10.77 15.94 |
| Beam Spread | Omni | 30° | 30° | 30° | 30° | 30° |
| Operating Range | 8-14 VAC/DC | 8-25 VAC/DC | 8-25 VAC/DC | 8-25 VAC/DC | 8-25 VAC/DC | 8-25 VAC/DC |
| CRI | 85 | 85 | 85 | 85 | 85 | 85 |
| IP | 65 | 61 | 61 | 61 | 61 | 68 |
| Lamp Life | 35,000 | 50,000 | 50,000 | 50,000 | 50,000 | 50,000 |
| Warranty | 5 | 5 | 5 | 5 | 5 | 5 |

Certification Information Certification Number: 2018-036 | Category: Certified Bulb
 Certification Requirements: Must be installed in a low mounted, downward directed and shielded fixture.



WILDLIFE CERTIFIED INTEGRATED LIGHTS



STRIP LIGHT



LIGHT BAR

| | | | |
|------------------------|---------------|----------|------|
| Wattage | 1.8 per meter | 1.5W | 2.5W |
| Volt Amps | 3.00 per foot | 1.67 | 2.78 |
| Length | 82.25 ft reel | 5.125" | 9.0" |
| Operating Range | 8-16 VAC/DC | 8-15 VAC | |
| CRI | 80 | 85 | |
| IP | 65 | 65 | |
| Lamp Life (hrs) | 35,000 | 30,000 | |
| Warranty (yrs) | 3 | 5 | |




Certification Information

Certification Numbers: Strip Light - 2018-036
Light Bar - 2019-270 | Category: Tape/Bullet LED Lights







Certification Requirements: Must be installed with the approved integrated Amber LED. Must be installed in a low, shielded location and directing the light downward and away from the beach. If the Light Bar is used in a fixture, the fixture must meet the FWC Lighting Guidelines for the appropriate fixture type.

WILDLIFE CERTIFIED FIXTURES



| | Metal Works Fixture | Certification Info | Certification Requirements |
|---|--|--|--|
|  | <p>Sequoia Path Light <i>Brass, Copper, or Brass+Black (Cerakote®)</i></p> | <p>2019-268 Category: Certified Walkway Lighting</p> | <p>Amber LED. Must be downward directed. Maximum mounting height of 24" from the ground. Additional shielding may be necessary if visible from the beach.</p> |
|  | <p>Zion Path Light <i>Brass, Copper, or Brass+Black (Cerakote®)</i></p> | <p>2019-267 Category: Certified Walkway Lighting</p> | <p>Amber LED. Must be downward directed. Maximum mounting height of 24" from the ground. Additional shielding may be necessary if visible from the beach.</p> |
|  | <p>Bryce Hanging Down Light <i>Brass, Copper, or Brass+Black (Cerakote®)</i></p> | <p>2019-269 Category: Certified Ceiling Mount Fixtures</p> | <p>Amber LED. Must be installed below structures. Allowed on the ground floor only, unless on the landward side of the structure. Additional shielding may be necessary if visible from the beach.</p> |

FIXTURES UNDER FWC REVIEW

| | Metal Works Fixture | Status | Light Source |
|---|---|---|--------------------------------|
|  | <p>Redwood Path Light <i>Brass, Copper, Brass+Black (Cerakote®), or Brass+Black (Cerakote®) w/ Brass Top</i></p> | <p>Under Review Light Source Approved Under Certification Number 2018-036</p> | <p>Micro G4 Amber</p> |
|  | <p>Everglades Area Light <i>Brass or Brass+Black (Cerakote®)</i></p> | <p>Under Review Light Source Approved Under Certification Number 2018-036</p> | <p>Micro G4 Amber</p> |
|  | <p>Surface Mount Wall Wash <i>Brass, Copper, or Brass+Black (Cerakote®)</i></p> | <p>Under Review Light Source Approved Under Certification Number 2019-270</p> | <p>Integrated into Fixture</p> |
|  | <p>Tee Wall Washer <i>Brass, Copper, or Brass+Black (Cerakote®)</i></p> | <p>Under Review Light Source Approved Under Certification Number 2019-270</p> | <p>Integrated into Fixture</p> |
|  | <p>Mini Beam + Stake & Shield 1.5W 90 Lumens <i>36°, CRI 90, IP68, 8-15VAC, 3 year warranty, 2.50VA 30,000 hrs.</i></p> | <p>Under Review</p> | <p>Integrated into Fixture</p> |
|  | <p>Adjustable AquaBeam <i>MR16 4W: 6.35 VA, MR16 5W: 8.33VA, CRI 85, IP68, 8-25VAC, 5 year warranty, 50,000 hrs.</i></p> | <p>Under Review Light Source Approved Under Certification Number 2018-03</p> | <p>MR16 Amber</p> |

PROFESSIONAL TRAINING

At Brilliance, we are passionate about landscape lighting and bringing the best products to the marketplace. We take the education and correct implementation of landscape lighting very seriously. This is why we offer our very own landscape lighting training. Our training covers a vast range of topics from the basics of LED products, to lighting techniques and designing architectural plans.

Training can be held in-person, either onsite at your location or at our facility in Carefree, Arizona. We can also provide video training sessions remotely. If you are interested in training, contact your Brilliance sales representative. To find the sales rep nearest to you, visit brillianceled.com/contact.



NEW ARRIVALS

MODERN TIKI BOLLARD

- The Modern Tiki Bollard is a new take on our Olympic Bollard.
- Available in 3', 4', and 5' heights. Customizable as needed.
- Fits any MR16 lamp.
- Made in Carefree, Arizona



MR16 EDGE WARM DIMMING

- The MR16 Edge Warm Dimming lamp ranges from 1800K - 3000K.
- Features a single diode and the lamp adjusts its Kelvin temperature as it is dimmed to emulate a halogen.
- Dimmable with Brilliance Dimmer, magnetic transformers and ELV transformers.



MR16 EDGE SPECS

| | | |
|---------------------------|----------------------|------------|
| Wattage | 6.6W | |
| Beam Spread | 15° | 30° |
| Lumens | 480 | 560 |
| Kelvin Temperature | 1800K - 3000K | |
| Operating Range | 8-25 VAC/DC | |
| Replaces | 35W Halogen | |
| CRI | 93 | |
| IP | 60 | |
| Lamp Life (hours) | 30,000 | |
| Warranty (years) | 3 | |

GRAND PRIZE WINNER
2024 PHOTO CONTEST

Bryant Outdoor Lighting LLC



1ST RUNNER UP
2024 PHOTO CONTEST



National Lawn Sprinklers &
Outdoor Living

2ND RUNNER UP
2024 PHOTO CONTEST



Milow Electric

9TH ANNUAL

PHOTO CONTEST

Now accepting entries year-round. Email photo submissions to marketing@brillianceled.com



National Lawn Sprinklers & Outdoor Living



National Lawn Sprinklers & Outdoor Living

Thank you to everyone who participated in our 9th annual photo contest in 2024. With so many exceptional photos, narrowing them down proved to be a very difficult task.

This photo contest gives you as landscape lighting designers and contractors the opportunity to show off your best Brilliance projects and share photos of beautiful and innovative landscape lighting, home lighting, and commercial lighting.

We're continually impressed with your work in the field and look forward to seeing submissions for the 10th Annual Photo Contest in 2025! Contact your sales rep with any questions.



GRAND PRIZE WINNER
2024 PHOTO CONTEST

Photograph courtesy of Bryant Outdoor Lighting LLC

brillianceled.com
7202 E Cave Creek Rd, Suite 3A
P.O. Box 2281 Carefree, AZ 85377

phone: 800.867.2108
fax: 480.575.0078

