

# AR11



## DESCRIPTION

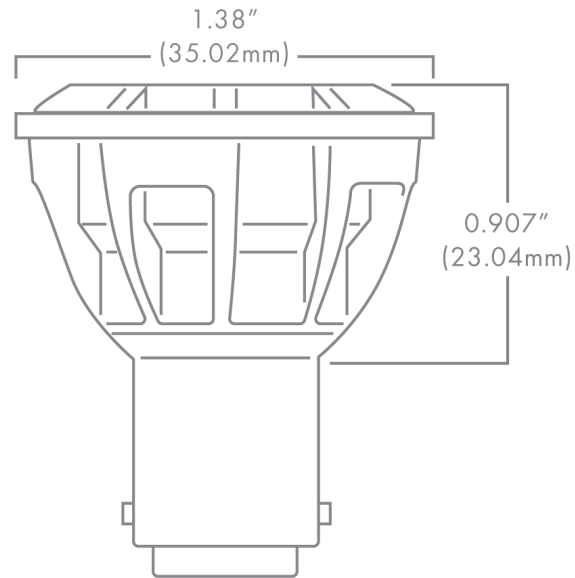
The Brilliance AR11 Double Contact Bayonet (DCB) is designed to fit into standard low voltage AR11 fixtures and offers a long lamp life. These LEDs are thermally engineered to operate in enclosed fixtures and provide added security by automatically cooling down and reducing lumen output when exposed to extreme heat, such as air temperatures above 125° F. There is no color shift when lumen output is reduced. Dimmable with Brilliance Dimmer and most magnetic transformers. Suitable for damp locations and for use in totally enclosed luminaires. Not for underwater use.

## AR11 FEATURES

- Earth tone colored housing
- Enhanced ESD (Electro-Static Discharge) protection (IEC-61000-4-2)
- Heat overload protection technology
- Fully potted PC board
- UL Certified E360351

## AR11 SPECS

<b>Wattage</b>	<b>2W</b>
<b>Volt Amps</b>	3.33
<b>Lumens</b>	<b>2700K</b> 120
	<b>3000K</b> 138
<b>Beam Spread</b>	<b>30° , 60°</b>
<b>Kelvin Temperature</b>	<b>2700, 3000</b>
<b>Color</b>	<b>Amber (30° only)</b>
<b>Operating Range</b>	<b>8-25 VAC/DC</b>
<b>Replaces</b>	<b>20W Halogen</b>
<b>CRI</b>	<b>85</b>
<b>IP</b>	<b>61</b>
<b>Lamp Life (hours)</b>	<b>50,000</b>
<b>Warranty (years)</b>	<b>5</b>



Part Number: **AR11-2-XXXX-XX**

Kelvin | Beam spread

