

# BEACON G4



## DESCRIPTION

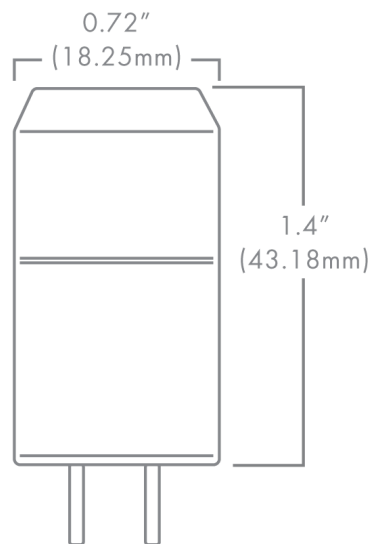
The Brilliance Beacon G4 Bi-Pin is a sub-compact LED that features Brilliance's omni-directional beam pattern. This G4 Bi-Pin is energy efficient and water resistant. It is designed specifically for landscape retrofit applications and is ideal for pathway lighting fixtures and step lights. Dimmable with Brilliance Dimmer and most magnetic transformers. Suitable for damp locations and for use in totally enclosed luminaires. Not for underwater use.

## BEACON G4 FEATURES

- Ceramic technology
- UL Certified E360351

## BEACON G4 SPECS

<b>Wattage</b>	<b>2W</b>
<b>Volt Amps</b>	3.28
<b>Lumens</b>	<b>2700K</b> 230
	<b>3000K</b> 244
	<b>5700K</b> 250
<b>Beam Spread</b>	<b>Omni-directional</b>
<b>Kelvin Temperature</b>	<b>2700, 3000, 5700</b>
<b>Operating Range</b>	<b>8-25 VAC/DC</b>
<b>Replaces</b>	<b>20W Halogen</b>
<b>CRI</b>	<b>84</b>
<b>IP</b>	<b>65</b>
<b>Lamp Life (hours)</b>	<b>35,000</b>
<b>Warranty (years)</b>	<b>5</b>



Part Number: **BRI-BEACON-G4-XXXX**

|  
Kelvin

