

# CANDELABRA EDGE FILAMENT



## DESCRIPTION

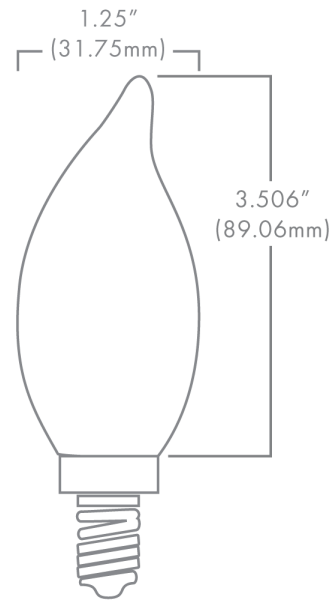
The Brilliance Candelabra Edge Filament lamp is a decorative light source and gives the effect of an original Edison lamp, making it great for indoor chandeliers and anywhere a warm light is desired.

## CANDELABRA EDGE FILAMENT FEATURES

- Flame tip style
- Clear omni-directional light source
- Elegant, exposed filament design
- UL Certified E360351

## CANDELABRA EDGE FILAMENT SPECS

<b>Wattage</b>	<b>3.5W</b>
<b>Volt Amps</b>	<b>3.89</b>
<b>Lumens</b>	<b>240</b>
<b>Kelvin Temperature</b>	<b>2700</b>
<b>Operating Range</b>	<b>120 VAC</b>
<b>Replaces</b>	<b>40W Incandescent</b>
<b>CRI</b>	<b>90</b>
<b>IP</b>	<b>64</b>
<b>Lamp Life (hours)</b>	<b>30,000</b>
<b>Warranty (years)</b>	<b>3</b>



Part Number: **CAN-FIL-F-2700-C-120**

