

# G4 ROUND BI-PIN WAFER

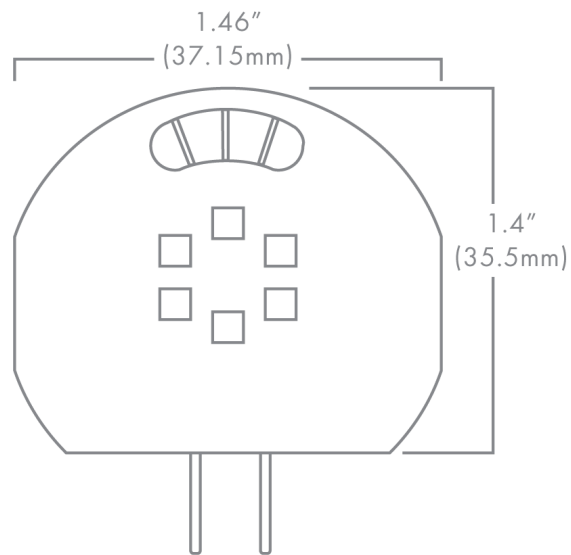


## DESCRIPTION

The Brilliance G4 Bi-Pin Wafer is designed specifically for low voltage landscape lighting fixtures. This compact LED is energy efficient and produces a broad 180° light pattern. Dimmable with Brilliance Dimmer and most magnetic transformers.

## ROUND G4 WAFER SPECS

<b>Wattage</b>	<b>2W</b>
<b>Volt Amps</b>	<b>3.33</b>
<b>Lumens</b>	<b>120</b>
<b>Beam Spread</b>	<b>180°</b>
<b>Kelvin Temperature</b>	<b>2700</b>
<b>Operating Range</b>	<b>8-24 VAC/DC</b>
<b>Replaces</b>	<b>25W Halogen</b>
<b>CRI</b>	<b>85</b>
<b>IP</b>	<b>60</b>
<b>Lamp Life (hours)</b>	<b>35,000</b>
<b>Warranty (years)</b>	<b>5</b>



Part Number: **G4-WAFER-2-2700-RND**

