

# LOW VOLTAGE



# CANDELABRA EDGE FILAMENT

## DESCRIPTION

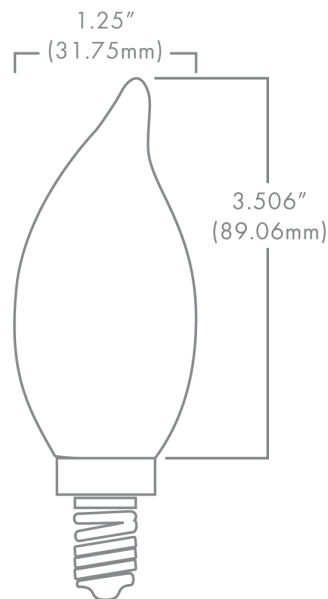
The Brilliance Candelabra Edge Filament lamp is a decorative light source and gives the effect of an original Edison lamp, making it great for indoor chandeliers and anywhere a warm light is desired. Dimmable with Brilliance Dimmer and most magnetic transformers.

## CANDELABRA EDGE FILAMENT FEATURES

- Flame tip style
- Clear, omni-directional light source
- Elegant, exposed filament design
- UL Certified E360351

## CANDELABRA EDGE FILAMENT SPECS

Wattage	2W	3.5W	
Volt Amps	2.35	4.12	
Lumens	2700K	105	240
	3000K	110	270
Kelvin Temperature	2700, 3000		
Operating Range	12 VAC/DC		
Replaces	40W Incandescent		
CRI	90		
IP	64		
Lamp Life (hours.)	30,000		
Warranty (years)	3		



Part Number: **CAN-FIL-F-XX-XXXX-C-12**

Wattage      Kelvin

