

LOW VOLTAGE

S14 EDGE FILAMENT



DESCRIPTION

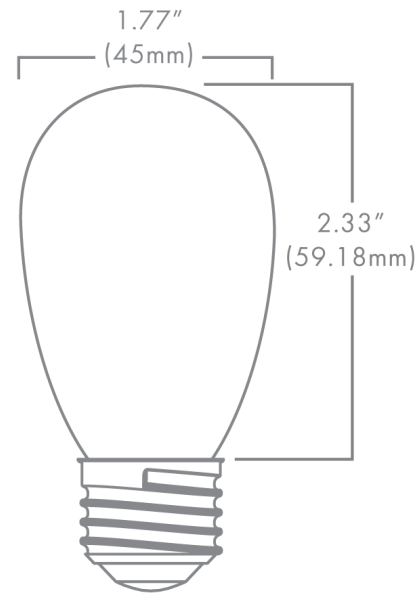
The Brilliance S14 Edge Filament is designed specifically for use in open outdoor fixtures where precision lighting and high color rendering is desired. This lamp is ideal for inverted bistro style lighting. Dimmable with Brilliance Dimmer and most magnetic transformers.

S14 EDGE FILAMENT FEATURES

- Clear, omni-directional light source
- Elegant, exposed filament design
- UL Certified E360351

S14 EDGE FILAMENT SPECS

Wattage	1W	2W	3.5W
Volt Amps	1.33	2.67	3.93
Lumens	2700K	75	125
	3000K	-	135
Kelvin Temperature	2700, 3000		
Operating Range	12 VAC/DC		
CRI	95		
IP	64		
Lamp Life (hours)	30,000		
Warranty (years)	3		



Part Number: **S14-FIL--XX-XXXX-12**

Wattage Kelvin

