

MR16 EDGE WARM DIMMING

DESCRIPTION

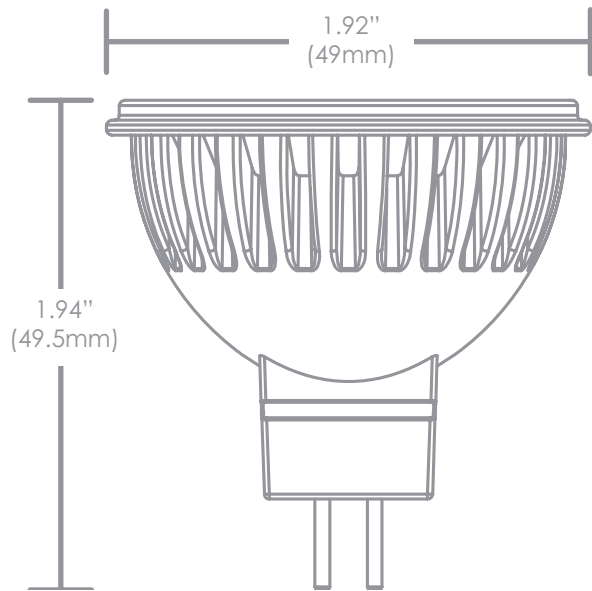
The MR16 Edge Warm Dimming Lamp is engineered to deliver precise, halogen-like dimming performance in a high-efficiency LED format. This lamp operates across a warm dimming range of 1800K to 3000K, dynamically adjusting color temperature in direct correlation with dimming levels to accurately replicate the behavior of incandescent and halogen sources. Its single-diode optical design ensures consistent beam quality, controlled output, and smooth transitions throughout the dimming curve. The lamp is fully dimmable with Brilliance Dimmers, as well as magnetic and ELV transformers, providing stable operation, minimal flicker, and reliable compatibility across a wide range of low-voltage lighting systems.

MR16 EDGE WARM DIMMING FEATURES

- The MR16 Edge Warm Dimming lamp ranges from 1800K - 3000K.
- Features a single diode and the lamp adjusts its Kelvin temperature as it is dimmed to emulate a halogen.
- Dimmable with Brilliance Dimmer, magnetic transformers and ELV transformers.

MR16 EDGE WARM DIMMING SPECS

Wattage	6.6W	
Beam Spread	15°	30°
Lumens	480	560
Kelvin Temperature	1800K - 3000K	
Operating Range	8-25 VAC/DC	
Replaces	35W Halogen	
CRI	93	
IP	60	
Lamp Life (hours)	30,000	
Warranty (years)	3	



Part Number: **MR16-6-WARM-DIM-XX**

Wattage

Beam spread

