

# PAR36



## DESCRIPTION

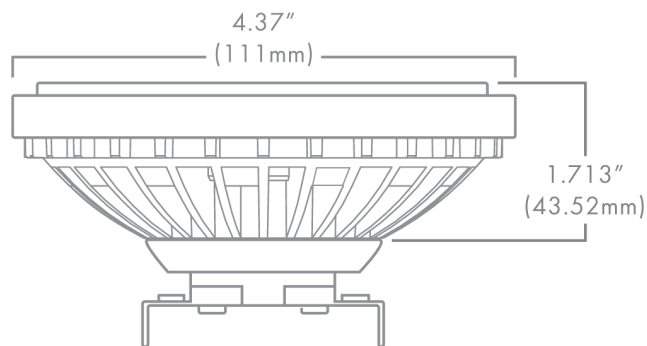
The Brilliance PAR36 lamp is designed to fit in standard low voltage PAR36 fixtures and offers a long lamp life. These LEDs are thermally engineered to operate in enclosed fixtures and provide added security by automatically cooling down and reducing lumen output when exposed to extreme heat, such as air temperatures above 125°F. There is no color shift when lumen output is reduced. Dimmable with Brilliance Dimmer and most magnetic transformers. Suitable for wet locations and for use in totally enclosed luminaires. Not for underwater use.

## PAR36 FEATURES

- Earth tone colored housing
- Enhanced ESD (Electro-Static Discharge) protection (IEC-61000-4-2)
- Heat overload protection technology
- Fully potted PC board
- UL Certified E360351

## PAR36 SPECS

Wattage	4W	7W	11W	15W
Volt Amps	6.67	10.77	15.94	21.43
Lumens	2700K	435	675	900
	3000K	445	700	950
	5700K	-	743	1333
Beam Spread†	15°, 30°, 60°, 120°			
Kelvin Temperature	2700, 3000, 5700			
Color†	<b>Amber</b> (7W and 11W in 30°) <b>Red</b> (7W and 11W in 30°) <b>Blue</b> (7W in 30° and 11W in 15° and 30°) <b>Green</b> (7W and 11W in 30°) <b>Silver Green</b> (7W in 15°, 30°, 60°, and 120° and 11W 15°, 30°, 60°)			
Operating Range	8-25 VAC/DC			
Replaces	20W, 35W, 50W Halogen			
CRI	85			
IP	68			
Lamp Life (hours)	50,000			
Warranty (years)	5			



Part Number: **PAR36-X-XXXX-XXX**



† Select Beam Spreads Available in Stock. Call 800-867-2108 for availability.