

# S14 EDGE FILAMENT



## DESCRIPTION

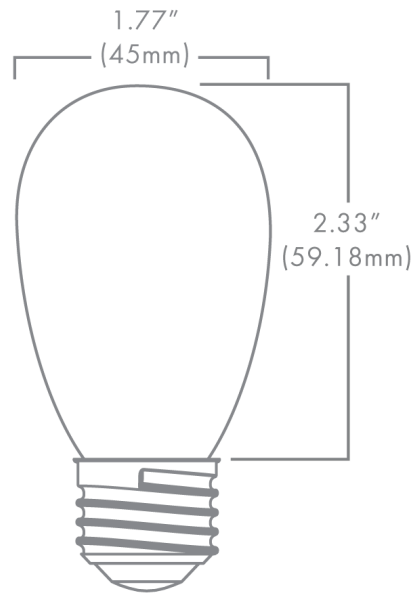
The Brilliance S14 Edge Filament is designed specifically for use in both open outdoor and indoor fixtures where precision lighting and high color rendering is desired, giving the effect of an original Edison lamp. This lamp is ideal for inverted bistro style lighting.

## S14 EDGE FILAMENT FEATURES

- Clear, omni-directional light source
- Elegant, exposed filament design
- UL Certified E360351

## S14 EDGE FILAMENT SPECS

<b>Wattage</b>	<b>2.5W</b>	<b>3.5W</b>
<b>Volt Amps</b>	2.78	3.89
<b>Lumens</b>	120	295
<b>Kelvin Temperature</b>	<b>2700</b>	
<b>Operating Range</b>	<b>120 VAC</b>	
<b>CRI</b>	<b>95</b>	
<b>IP</b>	<b>64</b>	
<b>Lamp Life (hours)</b>	<b>30,000</b>	
<b>Warranty (years)</b>	<b>3</b>	



Part Number: **S14-FIL-X-XXXX-120**

| |  
Wattage Kelvin

