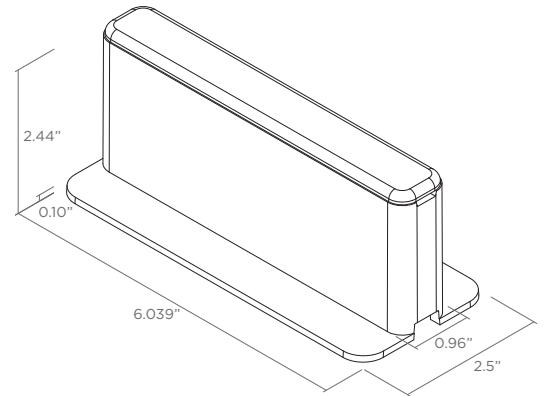


COMMAND SERIES PAVER LIGHT



DESCRIPTION

The Command Series Paver Light blends sleek design with advanced smart control for a seamless outdoor lighting experience. Built with an aluminum body and finished in black, it integrates cleanly into patio and hardscape pavers for a refined, architectural look. Featuring a self-contained control network with no Wi-Fi, hubs, or repeaters required, it delivers instant dimming and selectable color temperatures of 2700K, 3000K, 4000K, and 5000K. Using a dedicated remote, users can easily adjust both Kelvin temperature and wattage on the spot. Designed with a serviceable light module, the fixture allows for quick module replacement without the need to remove surrounding pavers, simplifying maintenance and minimizing disruption to hardscape installations. With secure, reliable performance, the Command Series sets a new standard for plug-and-play smart landscape lighting.



COMMAND SERIES MR16 FEATURES

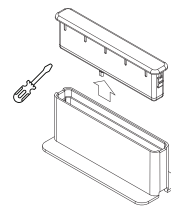
- **Serviceable light module allows easy replacement without removing surrounding pavers.**
- Integrated LED paver light engineered for architectural hardscape and landscape lighting applications
- Constructed with a corrosion-resistant aluminum housing and black powder-coated finish for long-term outdoor durability
- Designed for flush-mount installation within patio, walkway, and hardscape paver systems
- No Wi-Fi, hubs, or repeaters needed; maintains full functionality offline.
- CRI >92
- Super Low VA
- 1.5, 2, 3, & 4 Watt
- 2700, 3000, 4000, 5000 Kelvin
- Short Range Remote (*sold separately*)
- UL certified, patented “radio silent” operation, 50,000-hour rated life.

Part Number: **COMMAND-PAVER**



COMMAND SERIES PAVER LIGHT SPECS

Wattage (Setting)	1.5W	2W	3W	4W	
Volt Amps	2.2	2.2	3.3	4.3	
Lumens	2700K	60	140	220	265
Kelvin Temperature	2700K, 3000K, 4000K, 5000K				
Operating Range	8-25 VAC				
CRI	>92				
Power Factor	0.68	0.92	0.92	0.92	
IP	66				
Lamp Life (hours)	50,000				
Warranty (years)	3				



SERVICEABLE MODULE

Pull out design for easy replacement & maintenance

